

# Centra-Guard™

## Electronic Low Point Leak Detection

### Submittal Data Sheet



Job or Customer: .....

Engineer: .....

Contractor: .....

Submitted by: .....

Date

Approved by: .....

Date

Order No: .....

Date

Specification: .....

#### COMPANION PRODUCTS

### Encase™

PP Double Containment System

### Guardian™

Vinyl Double Containment Systems

### CustomGuard®

#### CENTRA-GUARD POINT LEAK DETECTION

IPEX'S patented leak detection systems offer the ultimate defense against potential containment challenges. Centra-Guard™ is automated, trouble-free and user-friendly. It offers an economical, proactive solution for guarding against environmental damage and the high cost of cleanup.

**Centra-Guard™ is the only non-intrusive leak detection system available. The sensor never comes in contact with the media.**

Centra-Guard™ leak detection systems are well suited to above-ground suspended pipeline applications, with sensors housed in a saddle-type clamp, as well as underground pipeline systems with drip leg assembly.

### Sensors

To detect the presence of fluid leakage into the interstitial space, leak detection stations are installed inline that allow for leakage to accumulate. Each station segregates that portion of the system into a zone that is monitored by an individual external capacitive sensor affixed to the outside of the leak detection station pipe.

- Sensor LED light
  - Illuminated light indicates the sensor is operational
- Built-in sensitivity control
  - Enables sensing point adjustment to minimize false alarms
- Non-intrusive sensors mean:
  - No need for upsizing containment pipe or pulling cable, reducing material and installation cost
  - No need to remove or replace sensors after a leak
  - No need to verify compatibility with fluids

### Electrical Connections

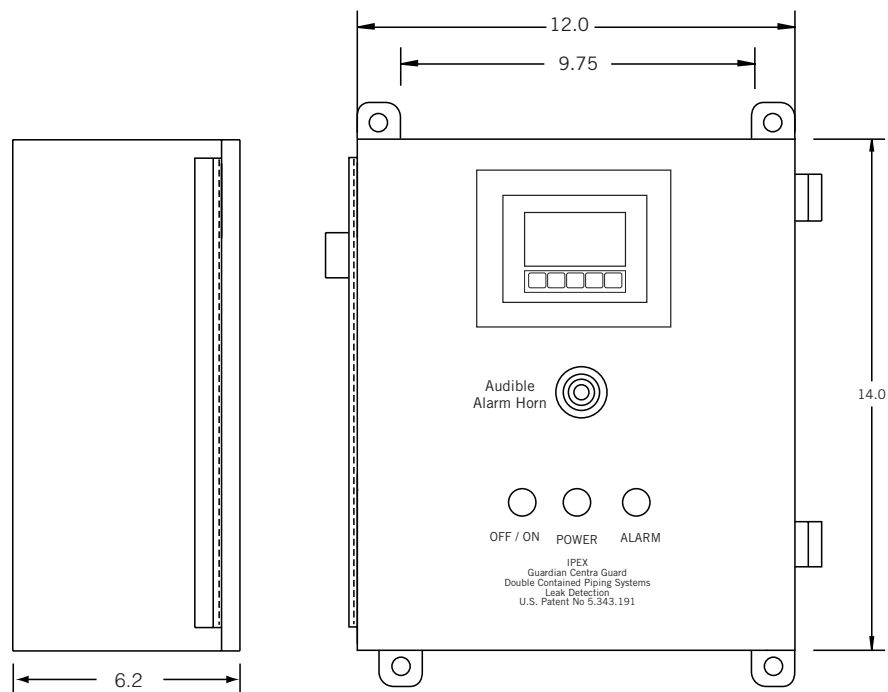
- Capacitive proximity sensor
  - 3-wire, 24 VDC, normally closed solid state switches.
  - Normally closed sensors ensure a failsafe system.
  - Wire break/short or sensor malfunction trigger an alarm
- Sensor power is sourced to the sensors from the control panel.
- Sensor switches open when fluid is detected in the outer containment pipe.

### Control Panel

- Internally fused
- Requires 120 VAC and 60 Hz
- Keyed On/Off switch & Alarm Silence switch
- Available 8, 16, 24, 32, 64, 96, 128, 160, and 192 zones
- Each zone is continuously monitored by the processor
- Panel will identify:
  - Date, time, zone and type of alarm (break/short or sensor malfunction)
- Alarm data saved in non volatile memory – Data is not lost if there is a power failure
- Standard NEMA 4X FRP enclosure with mounting flange
- Available NEMA 4X: Aluminum, Stainless Steel enclosure
- Built in audible and visual alarm signals
  - 95 dB alarm
  - LCD monitor indicates the type of alarm
  - Large Alarm light
- HMI buttons
  - Allow user to scroll through history, status, and test screens as well as alarm acknowledgment.
- Multi-level password protection ensures only authorized personnel may acknowledge an alarm.
- Standard SPDT general alarm relay switch
  - Allows interaction with plant PLC
- Standard RS-232 communication port
  - Allows for communication with mobile devices/printers

#### Standard 8 and 16-zone panels

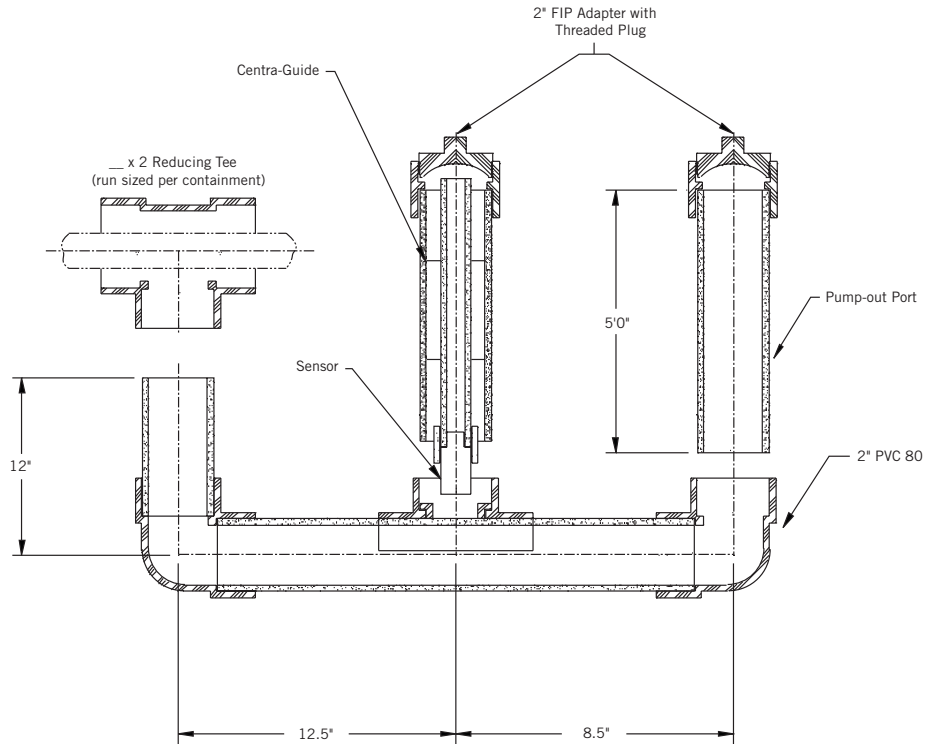
- Failsafe Design has processor and HMI display for detection of fluid by sensor and continuity of wire.
- Standard general alarm SPDT relay contacts allow communication with plant PLC.
- Standard NEMA 4X FRP enclosure.
- Optional NEMA 4X enclosures: aluminum, T304 stainless steel, T316 stainless steel.
- Specially designed panels available upon request.



### Underground Leak Detection Station with Sensor and Pump Out Port

#### General Notes

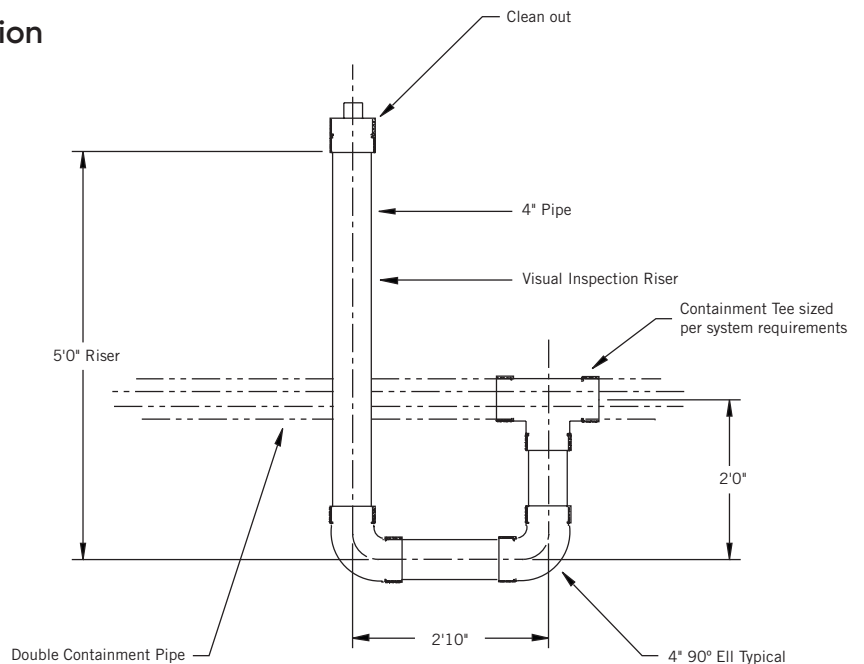
- All fittings are factory tested.
- Leak detection shipped in four separate pieces consisting of: containment tee, saddle, sensor riser, pump out riser and u-bend.
- Containment tee sized per system requirement.
- Leak detection – U.S. patent no. 5,343,191.



### Visual Underground Leak Detection Station

#### General Notes

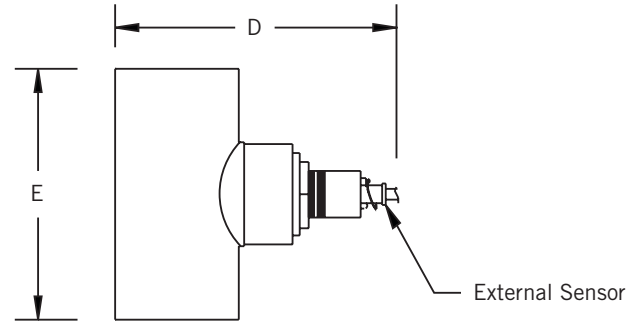
- Leak detection shipped in three separate pieces consisting of containment tee, saddle, riser and U-bend.
- Containment tee sized per system requirement.



#### Above Ground Leak Detection Station

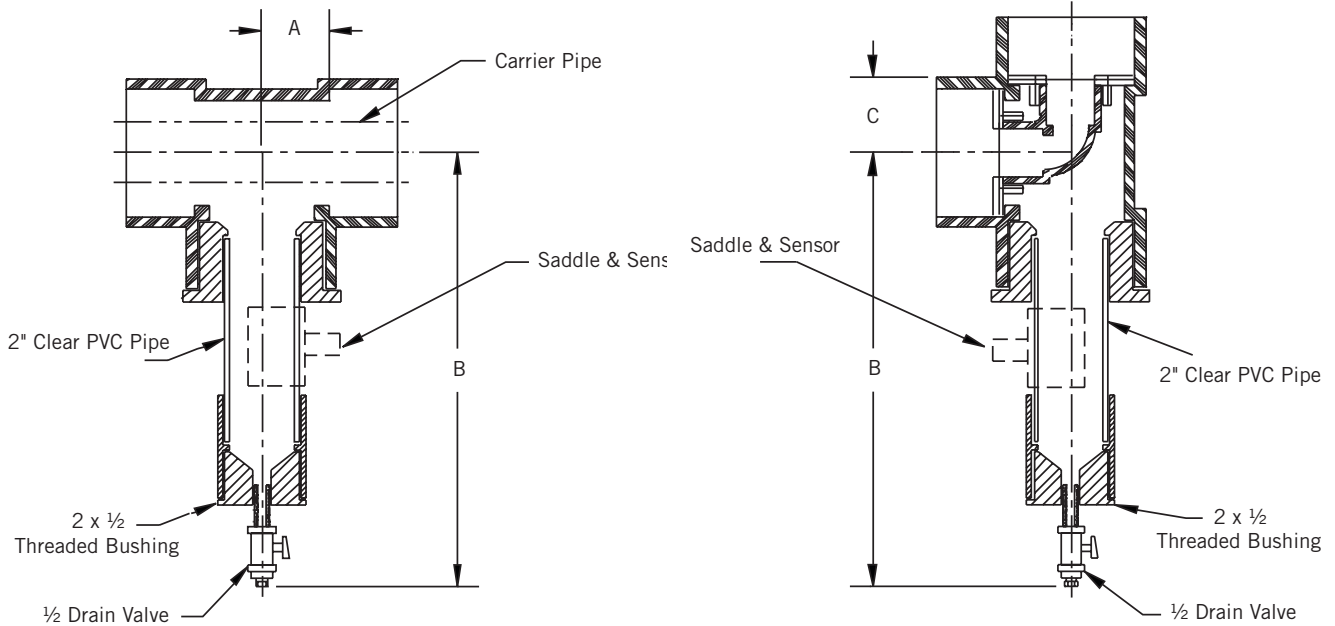
##### General Notes

- All fittings are factory tested.
- All dimensions are in inches unless otherwise indicated.
- Containment tee sized per system requirement.
- Guardian leak detection – U.S. patent no. 5,343,191.



Dimensions

Carrier / Containment	A	B	C	D	E
2	1.25	19.25	1.50	5.00	5.25
3	1.88	19.75	2.13	5.00	5.25
4	2.31	20.40	2.56	5.00	5.25
6	3.50	21.50	3.75	5.00	5.25
8	4.56	22.50	4.81	5.00	5.25



### **Centra-Guard Leak Detection – U.S. Patent No. 5,343,191**

Provide and install at each zone a capacitive sensor station consisting of an external clip-on sensor, drip leg and drain valve with hose connection and/or riser and sensor extension handle. Each sensor shall have LED testing lamp, adjusting potentiometer and be removable for periodic testing. Sensor shall not penetrate the containment piping jacket or come into contact with the leaking media. Control console shall be housed in a NEMA 4X enclosure, operating on 120 VAC and supplying 24 VDC to zone sensors. Console shall have LCD display continuously showing system operating conditions and HMI buttons to allow authorized personnel to scroll through history, status, and test screens as well as alarm acknowledgement. Console shall also have a power indicator light, keyed on/off switch, keyed alarm silence switch, and common audible and visual alarm. LCD display shall indicate date, time, zone, and type of alarm (break/short, sensor malfunction or leak) and store data in non volatile memory. An external output switch for accessory alarms and an RS-232 communication port shall be included. Leak detection system shall be Centra-Guard as manufactured by IPEX.

### About the IPEX Group of Companies

As leading suppliers of thermoplastic piping systems, the IPEX Group of Companies provides our customers with some of the world's largest and most comprehensive product lines. All IPEX products are backed by more than 50 years of experience. With state-of-the-art manufacturing facilities and distribution centers across North America, we have established a reputation for product innovation, quality, end-user focus and performance.

Markets served by IPEX group products are:

- Electrical systems
- Telecommunications and utility piping systems
- PVC, CPVC, PP, ABS, PEX, FR-PVDF and PE pipe and fittings (1/4" to 48")
- Industrial process piping systems
- Municipal pressure and gravity piping systems
- Plumbing and mechanical piping systems
- PE Electrofusion systems for gas and water
- Industrial, plumbing and electrical cements
- Irrigation systems

Products manufactured by IPEX Inc.  
and distributed in the United States by IPEX USA LLC.

---

This literature is published in good faith and is believed to be reliable. However, it does not represent and/or warrant in any manner the information and suggestions contained in this brochure. Data presented is the result of laboratory tests and field experience.

A policy of ongoing product improvement is maintained. This may result in modifications of features and/or specifications without notice.