

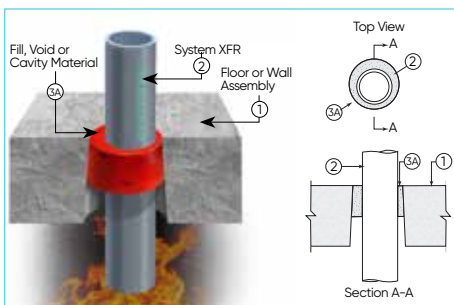
## System XFR®

### Easy methods to firestop System XFR

#### Most Common Applications in Concrete

Firestopping plastic pipes has come a long way over the years. Firestop manufacturers have generated large databases of firestop listings for plastic piping, which including excellent firestop options for System XFR. Below, we highlight some of the most common ways to firestop System XFR penetrations in concrete assemblies (F-Rating = 2HR).

For other pipe sizes, ratings, and assembly types not shown in this brochure (i.e. gypsum walls, hollow core concrete, Hambro slabs, mass timber, etc.), contact IPEX for more listings applicable to those applications. For hole/sleeve sizes and annular space requirements, refer to the individual firestop listing.

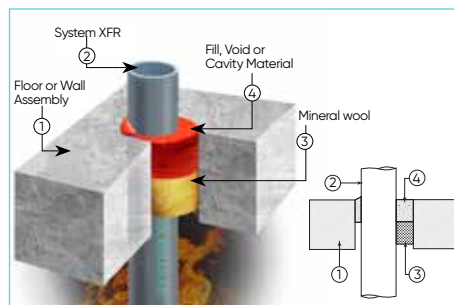


#### System No. C-BJ-2048

Maximum Pipe Size: 4" System XFR

Application: Up to 4" System XFR Stacks in concrete (minimum 7-1/2" slab)

Firestop Material: Self Seal® GG 266 Caulking

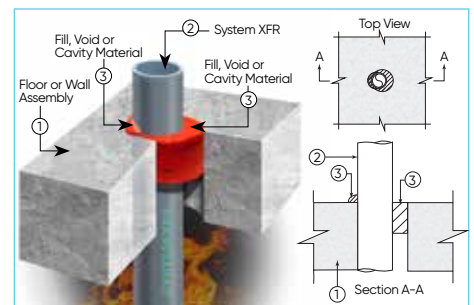


#### System No. 3M/PHV 120-20

Maximum Pipe Size: 2" System XFR

Application: Up to 2" System XFR penetrations in concrete floors/walls and concrete block walls

Firestop Material: Fire Barrier IC 15WB+ Sealant, Mineral Wool

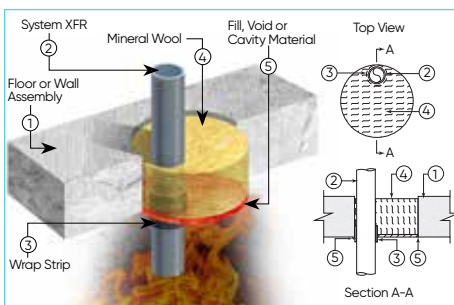


#### System No. C-AJ-2900

Maximum Pipe Size: 2" System XFR

Application: Up to 2" System XFR penetrations in concrete floors/walls and concrete block walls

Firestop Material: FS-ONE MAX Sealant

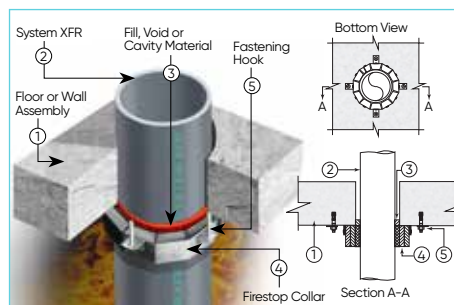


#### System No. F-A-2034

Maximum Pipe Size: 1-1/2" System XFR

Application: Up to 1-1/2" System XFR penetrations in concrete floors (e.g. shower or tub drains)

Firestop Material: CP 648E Wrap Strip, Mineral Wool, CP601S Sealant/CFS-SIL GG Sealant

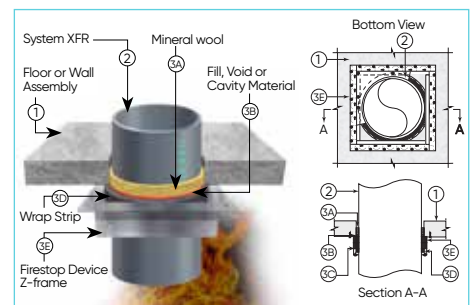


#### System No. C-AJ-2035

Maximum Pipe Size: 6" System XFR

Application: Up to 6" System XFR penetrations in concrete floors/walls and hollow core slabs and concrete block walls

Firestop Material: CP 643 Collar



#### System No. C-AJ-2836

Maximum Pipe Size: 18" System XFR

Application: Up to 18" System XFR penetrations in concrete floors/walls and concrete block walls

Firestop Material: Mineral Wool, FS-ONE MAX Sealant, CP 648E Wrap Strip, CP 675T Z-Frame & CP 643N clips

**Contact us:** Visit our website: [ipexna.com](http://ipexna.com) | Toll free Canada: (866) 473-9462

System XFR® is a registered trademark.