

### Scepter JBox Standard Cover

Junction boxes form an integral part of a circuit protection system and are constructed to provide a degree of protection to personnel against incidental contact with the enclosed equipment and to provide a degree of protection to the enclosed equipment against specified environmental conditions. JBX boxes are molded of PVC, are entirely non-metallic and provide NEMA 1, 2, 3R, 4, 4X, 6, 6P, 12, 13 protection on sizes 4" to 12" and NEMA 1,2,3R,4,4X,12,13 protection on sizes 14" to 16".


#### APPLICATION / USE

JBX junction boxes are designed and approved for use in indoor/outdoor, industrial, MRO and OEM applications for the accessibility and installation of wire and cable in continuous lengths and to enclose joints and splices. JBX junction boxes can also be used to enclose electrical equipment in non-hazardous locations.

#### MATERIAL

PVC proprietary gasket 4" - 12"  
Neoprene gasket 14" - 16"

#### STANDARDS

UL 50/50E, CSA 94.1/94.2,   
CSA C22.2 No.85, CSA C22.2 No.40

#### FLAMABILITY RATING

UL 94V-0

#### OUTDOOR SUITABILITY

UL 746C

#### NEMA

4"-12" Type 1,2,3R,4,4X,6,6P,12,13  
14"-16" Type 1,2,3R,4,4X,12,13

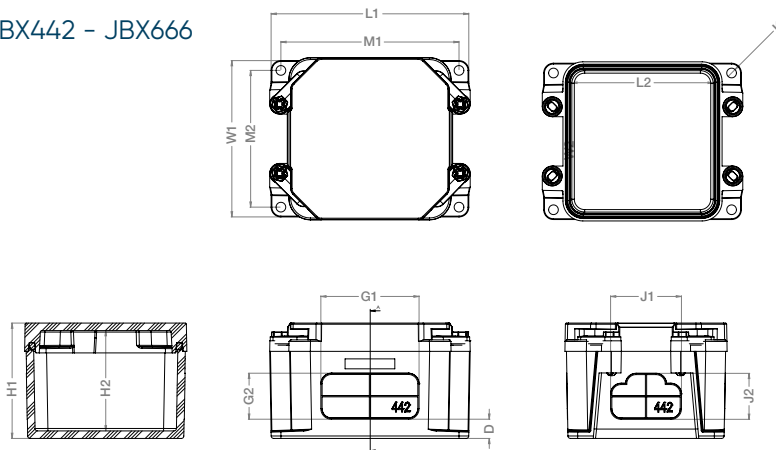
#### FASTENER TOOL

#2 Phillips or Hexagonal head (11mm, 7/16") Screwdriver

#### Scepter JBox 4" to 6"

Size inches	Part Number	Product Code	L1	W1	L2	W2	H1	H2	M1	M2	G1	G2	J1	J2	D	K	Vol.
			inches														
4x4x2	JBX442	277000	4.97	3.93	3.48	3.48	2.90	2.52	4.48	3.44	2.41	1.09	1.72	1.09	0.51	0.24	25.55
4x4x4	JBX444	277001	4.90	3.86	3.48	3.48	4.89	4.52	4.41	3.37	2.22	2.97	1.59	2.97	0.59	0.24	50.11
5x5x2	JBX552	277002	5.97	4.93	4.93	4.55	2.90	2.52	5.48	4.44	3.41	1.09	2.69	1.09	0.51	0.24	41.89
6x3x4	JBX634	277003	3.90	5.86	5.86	5.48	4.89	4.52	3.41	5.37	1.22	2.72	3.42	2.72	0.59	0.28	56.03
6x6x4	JBX664	277004	7.58	7.58	7.58	7.20	4.90	4.52	6.90	6.90	4.47	2.47	4.47	2.47	0.59	0.28	172.05
6x6x6	JBX666	277005	7.51	7.51	7.51	7.13	6.90	6.52	6.83	6.83	4.22	4.47	4.22	4.47	0.72	0.28	255.00

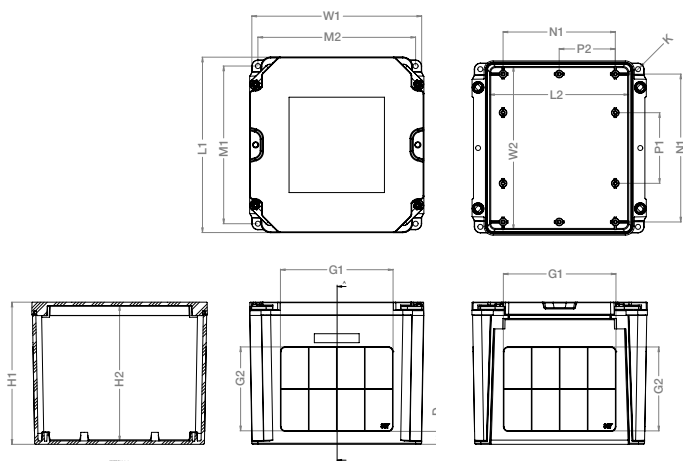
#### JBX442 - JBX666



### Scepter JBox 8" to 16"

Size inches	Part Number	Product Code	L1	W1	L2	W2	H1	H2	M1	M2	G1	G2	N1	N2	P1	P2	D	K	Vol.
			inches																
8x8x4	JBX884	277006	9.58	9.58	7.86	9.20	4.90	4.52	8.90	8.90	6.47	1.97	8.25	6.26	3.94	3.13	0.59	0.28	293.19
8x8x7	JBX887	277007	9.47	9.47	7.76	9.10	7.90	7.52	8.90	8.90	6.22	4.65	8.25	6.26	3.94	3.13	0.75	0.28	506.97
12x12x4	JBX12124	277008	13.58	12.24	11.74	11.74	4.90	4.46	12.90	11.56	9.28	2.03	10.26	10.25	3.94	3.13	0.56	0.28	548.26
12x12x6	JBX12126	277009	13.58	12.24	11.74	11.74	6.90	6.46	12.90	11.56	9.03	3.78	10.26	10.25	3.94	3.13	0.67	0.28	822.21
12x12x8	JBX12128	277010	13.58	12.24	11.74	11.74	8.90	8.46	12.90	11.56	8.81	5.64	10.26	10.25	3.94	3.13	0.76	0.28	1092.90
14x14x8	JBX14148	277011	15.72	14.39	13.80	13.80	9.10	8.61	15.10	13.70	11.05	5.69	12.25	10.26	3.94	3.16	0.83	0.33	1535.00
14x14x10	JBX141410	277012	15.72	14.39	13.80	13.80	11.10	10.52	15.10	13.70	11.05	7.55	12.25	10.26	3.94	3.16	0.83	0.33	1916.00
16x16x10	JBX161610	277013	17.64	16.30	15.71	15.71	11.10	10.52	17.00	15.60	12.55	7.55	14.25	12.26	4.71	4.09	0.83	0.33	2520.00

JBX884 - JBX887



JBX12124 - JBX12128

