

LifeSaver® Catch Basin Adjustment Systems



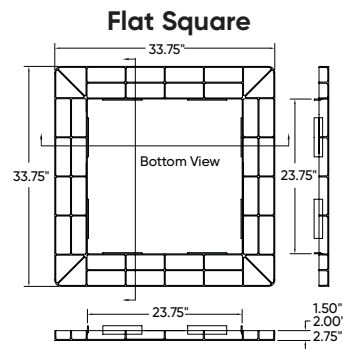
- Water-tight Joints
- No Mortar Required
- Withstands Excessive Loads
- Impervious to Corrosion
- Lightweight and Easy to Handle

Catchbasin Adjustment Units (24" x 24")

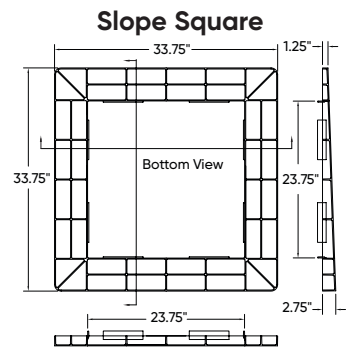
Size	Description	Product Code
2" – 2-3/4"	Sloped Catchbasin Adjustment Unit	074330
1-1/4" – 2-3/4"	Sloped Catchbasin Adjustment Unit	074157
1-1/2"	Flat Catchbasin Adjustment Unit	074075
2"	Flat Catchbasin Adjustment Unit	074076
2-3/4"	Flat Catchbasin Adjustment Unit	074077

Catchbasin Adjustment Units (24" x 36")

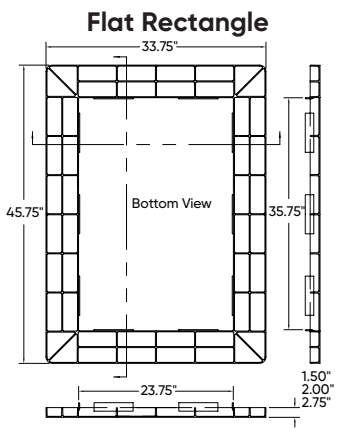
Size	Description	Product Code
1-1/4" – 1-3/4"	Sloped Catchbasin Adjustment Unit	074997
1-1/2"	Flat Catchbasin Adjustment Unit	074994
2"	Flat Catchbasin Adjustment Unit	074995
2-3/4"	Flat Catchbasin Adjustment Unit	074996



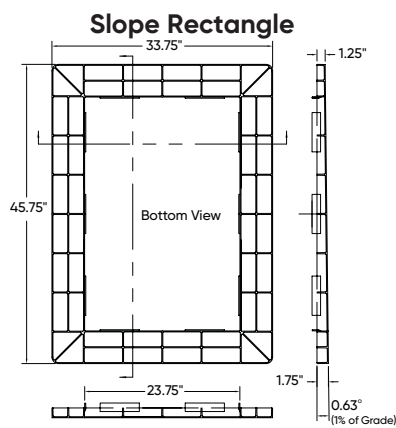
FLAT catch basin adjusting frame



SLOPED catch basin adjusting frame



FLAT catch basin adjusting frame



SLOPED catch basin adjusting frame

Catch Basin Frame Installation

1. Clean the top of the catch basin with a stiff whisk broom, wire brush or chisel, removing all stones and frozen debris to obtain a flat seating surface.
2. Set the first frame on top of the catch basin (if the plastic tabs do not fit securely inside the catch basin walls, remove them with a wood saw).
3. Continue installing frames, fitting each one into the previous unit by placing the male tabs downward.
4. Once the desired adjustment height is reached, install the casting on top of the last frame and recheck the height. Use a slope frame to slope the casting to road grade, as necessary.

Note: Lifesaver catch basin frames are designed to allow infiltration from the surrounding roadbed into the catch basin, so it is not necessary to seal them with caulk.

5. **IMPORTANT:** Before backfilling, wrap the stacked frames with a layer of filter cloth, to allow water to filter into the catch basin, while preventing the migration of silt and other fine particles. This step is critical to avoid deterioration of the pavement around the catch basin structure.
6. Should you need to offset a frame, remove the two plastic tabs from one inside edge of the upper unit only, permitting it to slide to the desired offset (see illustration). Set the frame in place, ensuring that the three remaining sets of tabs fit securely into the previous unit. **Maximum offset is 4". DO NOT REMOVE ADDITIONAL TABS TO FURTHER INCREASE THE OFFSET.**



About the IPEX Group of Companies

As leading suppliers of thermoplastic piping systems, the IPEX Group of Companies provides our customers with some of the world's largest and most comprehensive product lines. All IPEX products are backed by more than 50 years of experience. With state-of-the-art manufacturing facilities and distribution centers across North America, we have established a reputation for product innovation, quality, end-user focus and performance.

Markets served by IPEX group products are:

- Electrical systems
- Telecommunications and utility piping systems
- Industrial process piping systems
- Municipal pressure and gravity piping systems
- Plumbing and mechanical piping systems
- Electrofusion systems for gas and water
- Industrial, plumbing and electrical cements
- Irrigation systems
- PVC, CPVC, PP, PVDF, PE, ABS, and PEX pipe and fittings

Products are manufactured by IPEX Inc.

Lifesaver[®] is a trademark of IPEX Branding Inc.

This literature is published in good faith and is believed to be reliable. However, it does not represent and/or warrant in any manner the information and suggestions contained in this brochure. Data presented is the result of laboratory tests and field experience.

A policy of ongoing product improvement is maintained. This may result in modifications of features and/or specifications without notice.