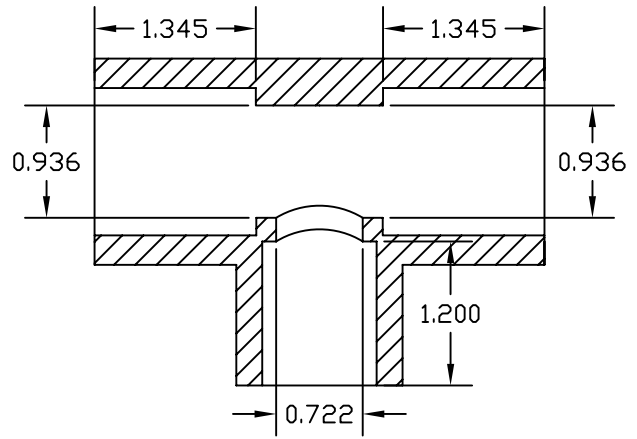
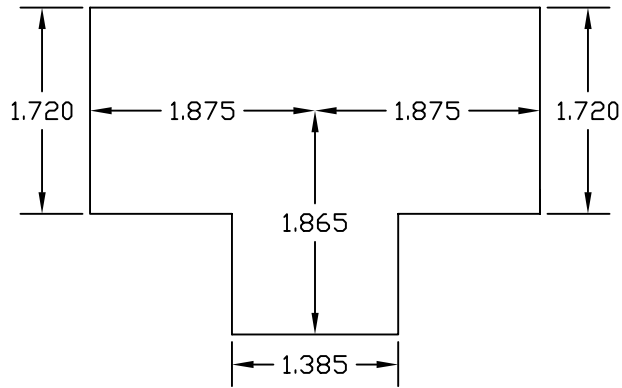
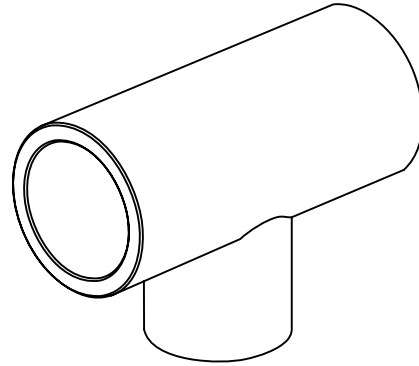

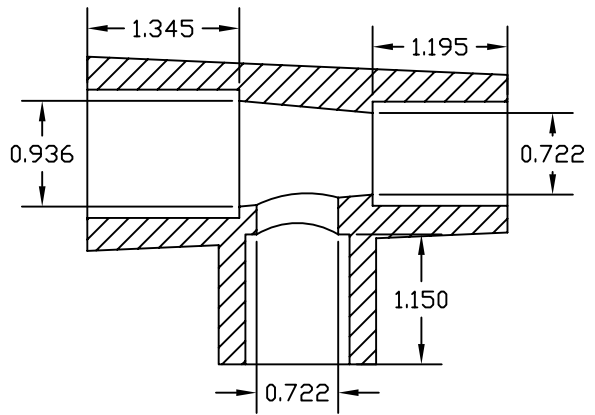
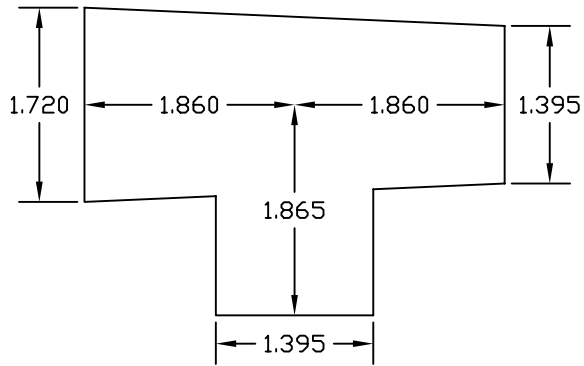
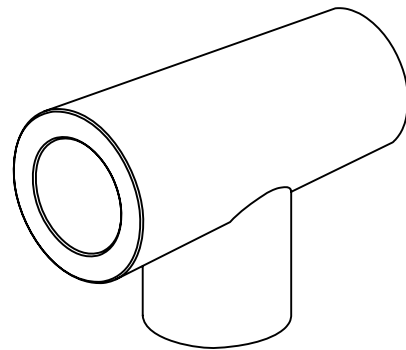

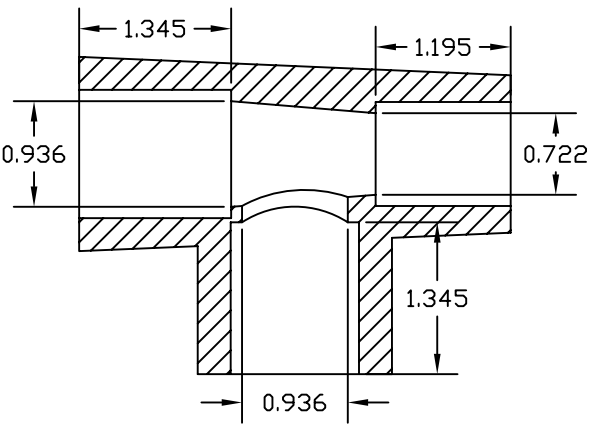
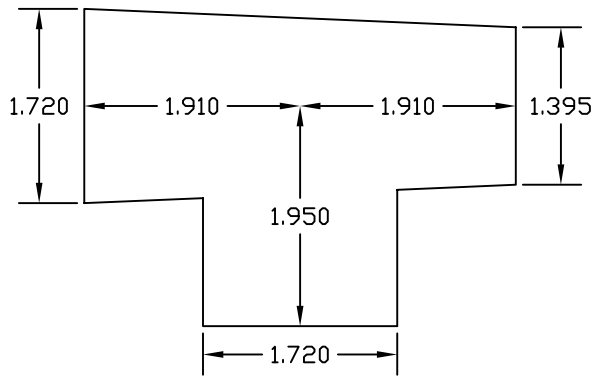
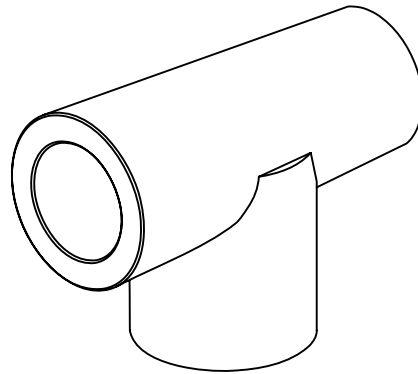
	NAME		BlazeMaster™	
			0.75" x 0.75" x 1" TEE	
	PART #	048493	SCALE	PDF NTS
	UNIVERSAL #		MATERIAL	CPVC
CANADA	TEL: (800) 473-8182 FAX: (805) 570-5285	E-FILE	DATE	02APR2007
U.S.	TEL: (800) 483-8572 FAX: (805) 403-1284	marketing@ipexinc.com	www.ipexinc.com	
<small>THE INFORMATION CONTAINED WITHIN THIS DRAWING IS PROPRIETARY AND THE PROPERTY OF IPEX INC. ANY UNAUTHORIZED USE, MANUFACTURE OR REPRODUCTION IN WHOLE OR IN PART IS STRICTLY PROHIBITED.</small>				




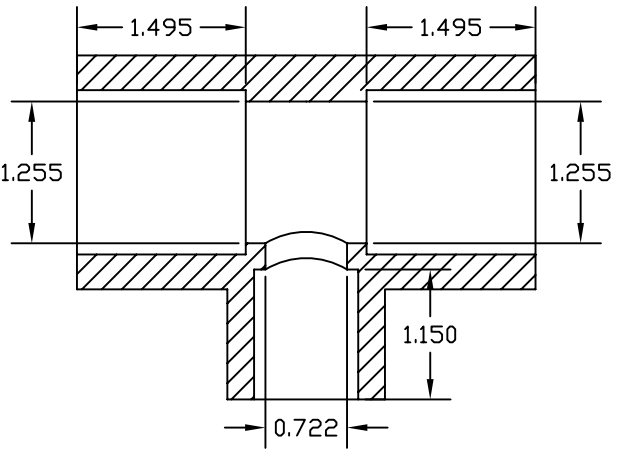
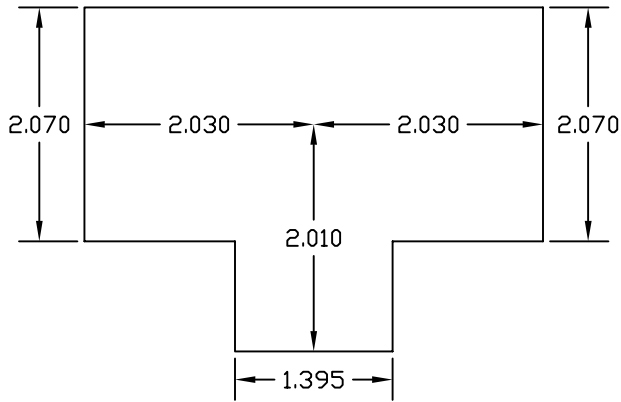
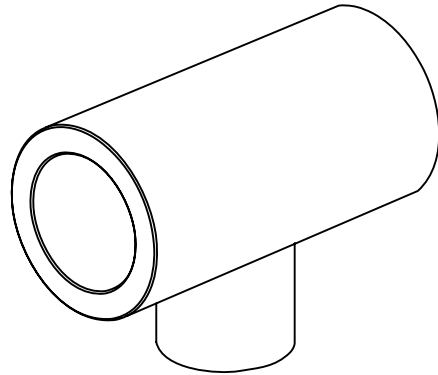
	NAME BlazeMaster™ 1.00" x 1.00" x 0.75" TEE	
	PART # 048495	SCALE PDF NTS
	UNIVERSAL #	MATERIAL CPVC
	E-FILE	DATE 02APR2007
CANADA TEL: (800) 473-9482 FAX: (905) 970-8295	marketing@ipexinc.com	www.ipexinc.com
U.S. TEL: (800) 483-8872 FAX: (905) 403-1294	<small>THE INFORMATION CONTAINED WITHIN THIS DRAWING IS PROPRIETARY AND THE PROPERTY OF IPEX INC. ANY UNAUTHORIZED USE, MANUFACTURE OR REPRODUCTION IN WHOLE OR IN PART IS STRICTLY PROHIBITED.</small>	




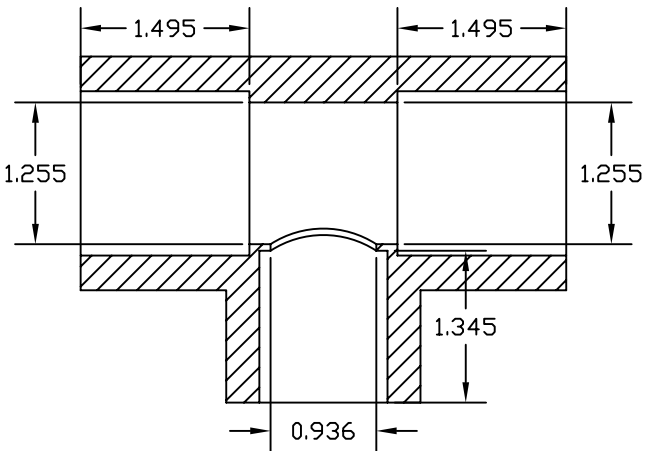
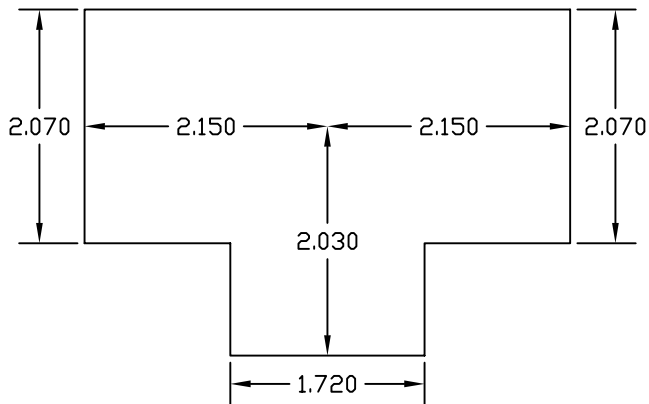
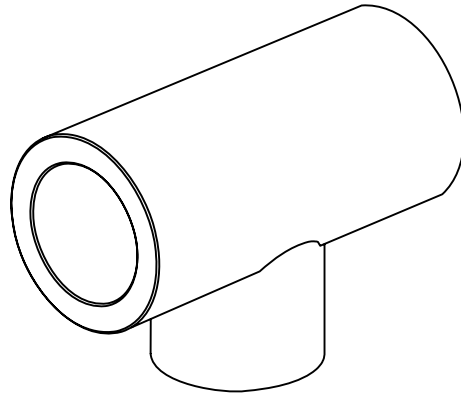
	NAME BlazeMaster™ 1.00" x 0.75" x 0.75" TEE	
	PART # 048497	SCALE PDF NTS
	UNIVERSAL #	MATERIAL CPVC
	E-FILE	DATE 02APR2007
CANADA TEL: (505) 473-8782 FAX: (505) 570-9299 U.S. TEL: (505) 485-9572 FAX: (505) 403-1284	marketing@ipexinc.com www.ipexinc.com	
<small>THE INFORMATION CONTAINED WITHIN THIS DRAWING IS PROPRIETARY AND THE PROPERTY OF IPEX INC. ANY UNAUTHORIZED USE, MANUFACTURE OR REPRODUCTION IN WHOLE OR IN PART IS STRICTLY PROHIBITED.</small>		




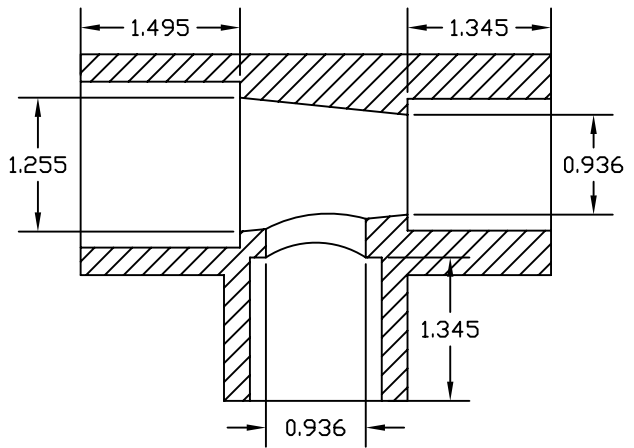
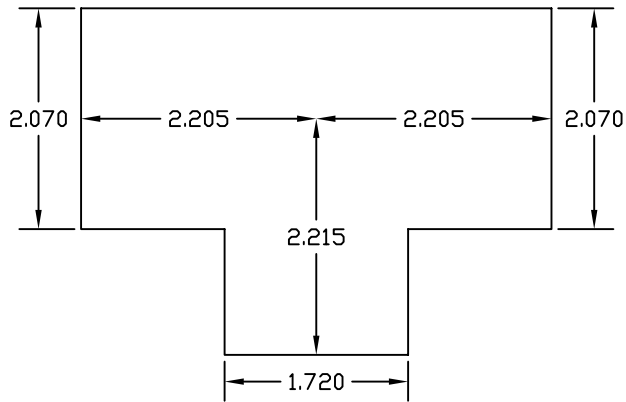
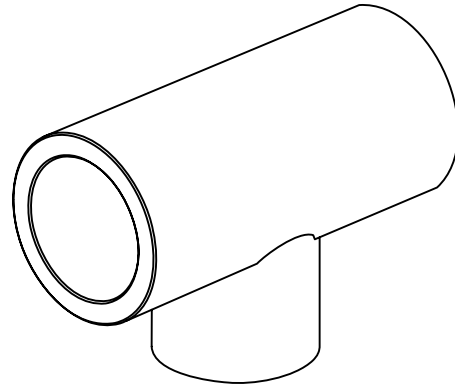
	NAME BlazeMaster™	
	1.00" x 0.75" x 1.00" TEE	
CANADA TEL: (855) 473-8782 FAX: (905) 570-8288	PART # 048498	SCALE PDF NTS
	UNIVERSAL #	MATERIAL CPVC
U.S. TEL: (855) 485-9572 FAX: (905) 403-1284	E-FILE marketing@ipexinc.com	DATE 02APR2007
		www.ipexinc.com
<small>THE INFORMATION CONTAINED WITHIN THIS DRAWING IS PROPRIETARY AND THE PROPERTY OF IPEX INC. ANY UNAUTHORIZED USE, MANUFACTURE OR REPRODUCTION IN WHOLE OR IN PART IS STRICTLY PROHIBITED.</small>		




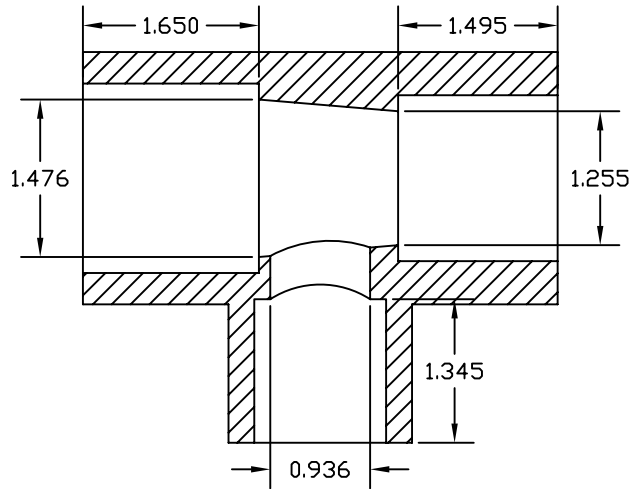
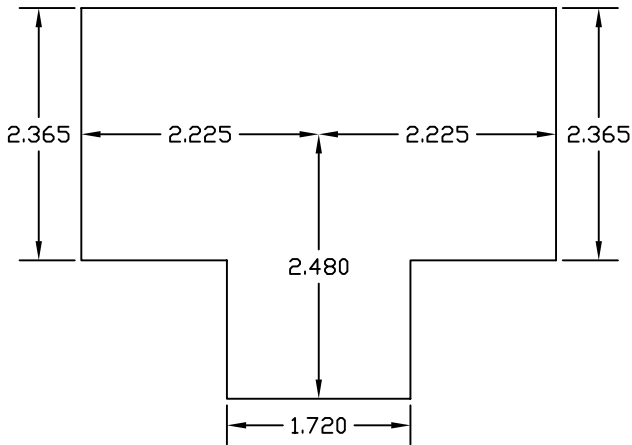
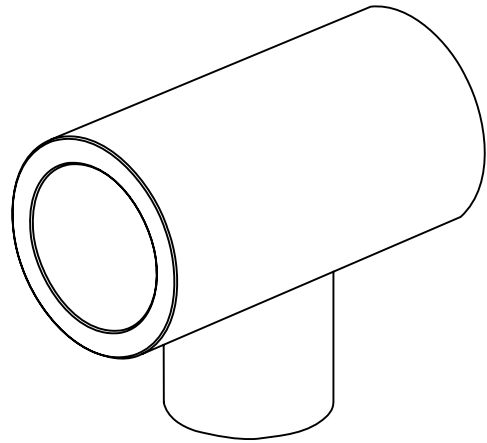
	NAME BlazeMaster™ 1.25" x 1.25" x 0.75" TEE	
	PART # 048502	SCALE PDF NTS
CANADA TEL: (505) 473-8782 FAX: (505) 570-8288	UNIVERSAL #	MATERIAL CPVC
U.S. TEL: (505) 485-9572 FAX: (505) 403-1284	E-FILE marketing@ipexinc.com	DATE 02APR2007
www.ipexinc.com		
<small>THE INFORMATION CONTAINED WITHIN THIS DRAWING IS PROPRIETARY AND THE PROPERTY OF IPEX INC. ANY UNAUTHORIZED USE, MANUFACTURE OR REPRODUCTION IN WHOLE OR IN PART IS STRICTLY PROHIBITED.</small>		




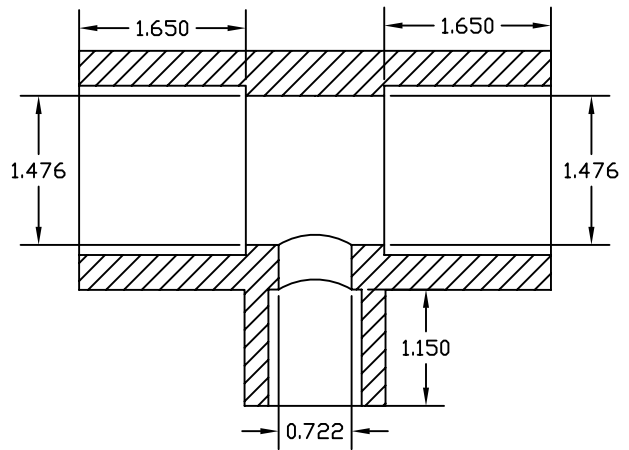
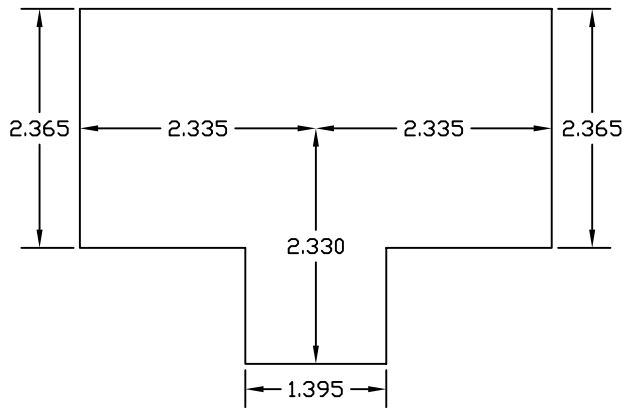
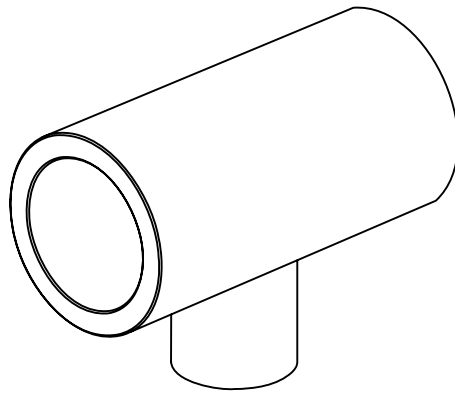
	NAME BlazeMaster™ 1.25" x 1.25" x 1.00" TEE	
	PART # 048504	SCALE PDF NTS
CANADA TEL: (855) 473-8182 FAX: (905) 570-8288	UNIVERSAL #	MATERIAL CPVC
U.S. TEL: (855) 485-9572 FAX: (905) 403-1284	E-FILE marketing@ipexinc.com	DATE 02APR2007
www.ipexinc.com		www.ipexinc.com
<small>THE INFORMATION CONTAINED WITHIN THIS DRAWING IS PROPRIETARY AND THE PROPERTY OF IPEX INC. ANY UNAUTHORIZED USE, MANUFACTURE OR REPRODUCTION IN WHOLE OR IN PART IS STRICTLY PROHIBITED.</small>		




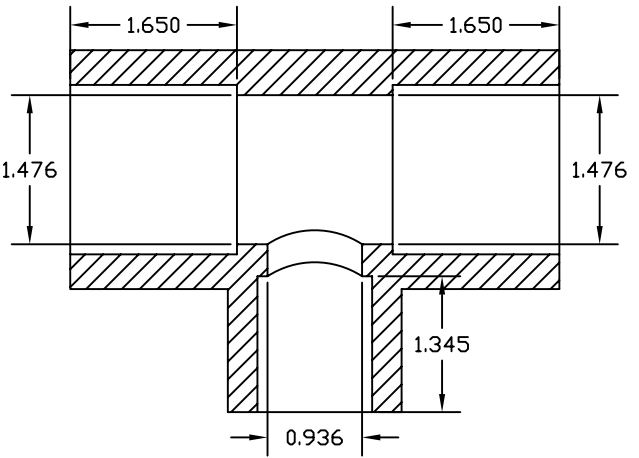
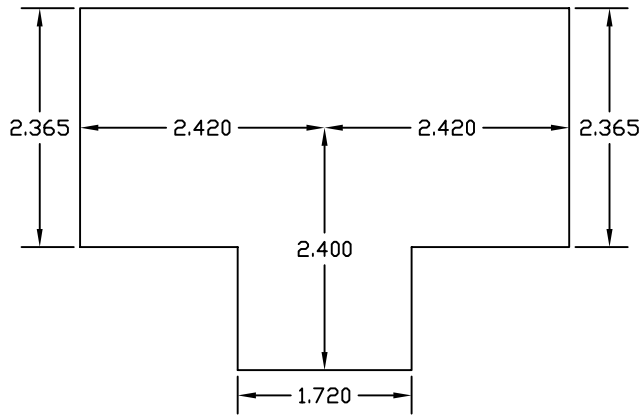
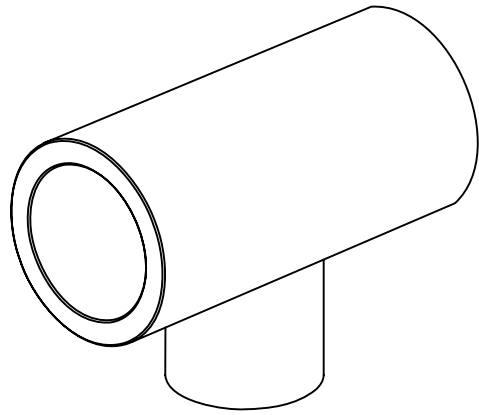
 CANADA TEL: (800) 473-9482 FAX: (800) 870-6296 U.S. TEL: (800) 483-8672 FAX: (800) 403-1284	NAME BlazeMaster™	
	PART # 1.25" x 1.00" x 1.00" TEE	
	PART # 048506	SCALE PDF NTS
	UNIVERSAL #	MATERIAL CPVC
E-FILE	DATE 02APR2007	
marketing@ipexinc.com		www.ipexinc.com
<small>THE INFORMATION CONTAINED WITHIN THIS DRAWING IS PROPRIETARY AND THE PROPERTY OF IPEX INC. ANY UNAUTHORIZED USE, MANUFACTURE OR REPRODUCTION IN WHOLE OR IN PART IS STRICTLY PROHIBITED.</small>		



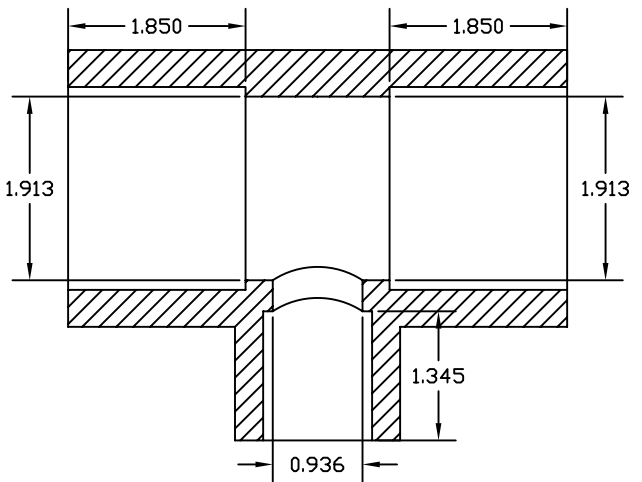
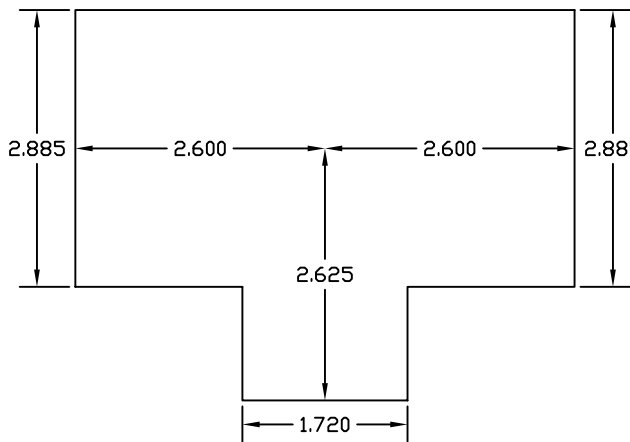
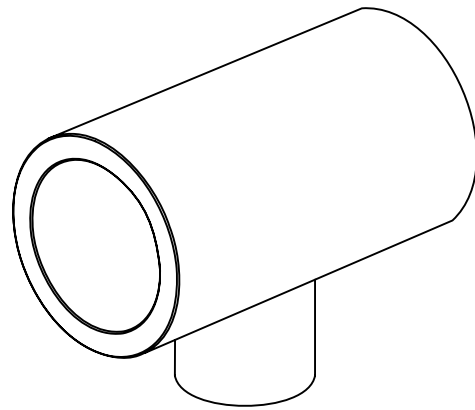
	NAME BlazeMaster™	
	PART # 1.50" x 1.25" x 1.00" TEE	
	PART # 048508	SCALE PDF NTS
	UNIVERSAL #	MATERIAL CPVC
CANADA TEL: (800) 473-8482 FAX: (800) 870-6296	E-FILE	DATE 02APR2007
U.S. TEL: (800) 485-8672 FAX: (800) 403-1284	marketing@ipexinc.com	www.ipexinc.com
<small>THE INFORMATION CONTAINED WITHIN THIS DRAWING IS PROPRIETARY AND THE PROPERTY OF IPEX INC. ANY UNAUTHORIZED USE, MANUFACTURE OR REPRODUCTION IN WHOLE OR IN PART IS STRICTLY PROHIBITED.</small>		




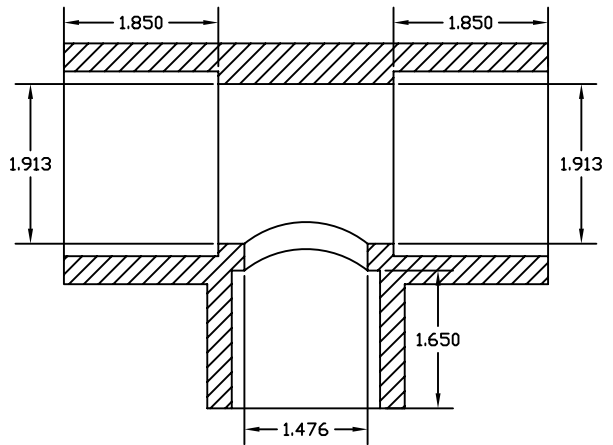
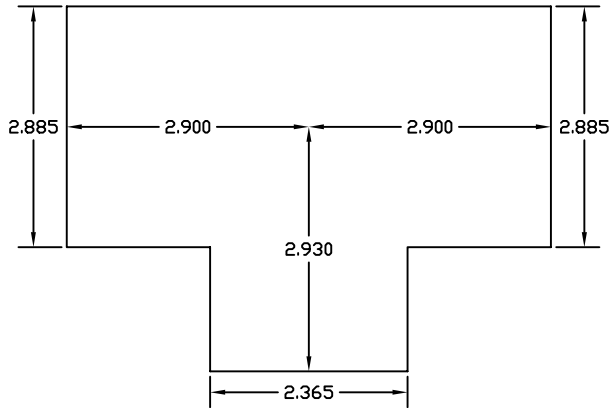
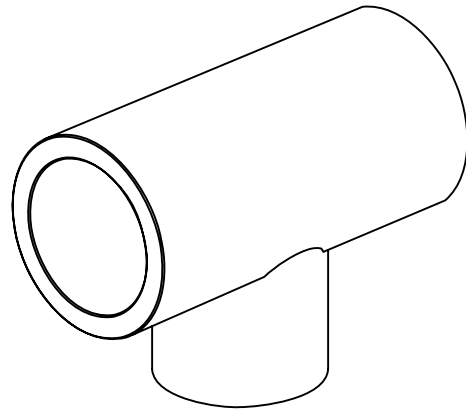
	NAME		BlazeMaster™
	PART #		1.50" x 1.50" x 0.75" TEE
	UNIVERSAL #	048509	SCALE PDF NTS
	E-FILE	marketing@ipexinc.com	MATERIAL CPVC
CANADA	TEL: (800) 473-8182 FAX: (905) 970-9299	DATE	02APR2007
U.S.	TEL: (800) 483-9572 FAX: (905) 403-1284	www.ipexinc.com	
<small>THE INFORMATION CONTAINED WITHIN THIS DRAWING IS PROPRIETARY AND THE PROPERTY OF IPEX INC. ANY UNAUTHORIZED USE, MANUFACTURE OR REPRODUCTION IN WHOLE OR IN PART IS STRICTLY PROHIBITED.</small>			



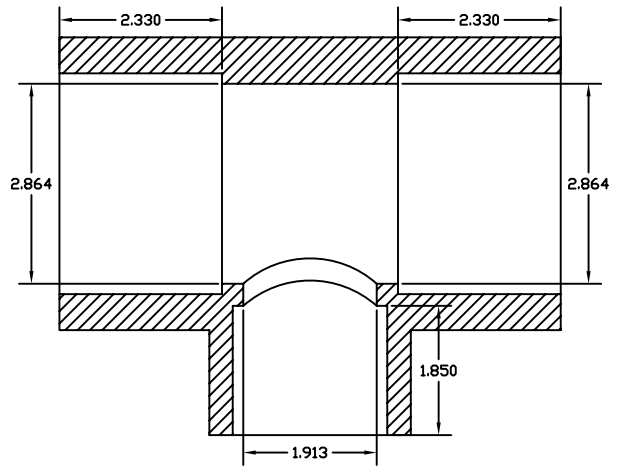
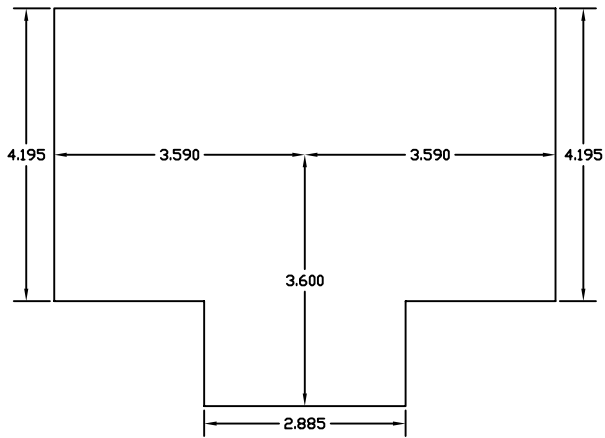
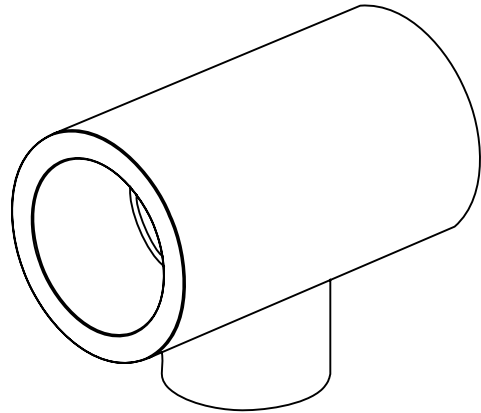
	NAME BlazeMaster™	
	1.50" x 1.50" x 1.00" TEE	
	PART # 048510	SCALE PDF NTS
	UNIVERSAL #	MATERIAL CPVC
CANADA TEL: (800) 473-8182 FAX: (905) 970-9299	E-FILE marketing@ipexinc.com	DATE 02APR2007
U.S. TEL: (800) 483-9972 FAX: (900) 403-1284	www.ipexinc.com	
<small>THE INFORMATION CONTAINED WITHIN THIS DRAWING IS PROPRIETARY AND THE PROPERTY OF IPEX INC. ANY UNAUTHORIZED USE, MANUFACTURE OR REPRODUCTION IN WHOLE OR IN PART IS STRICTLY PROHIBITED.</small>		



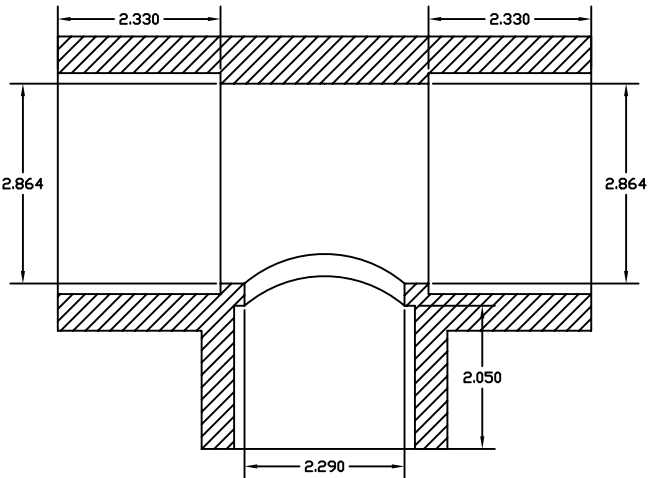
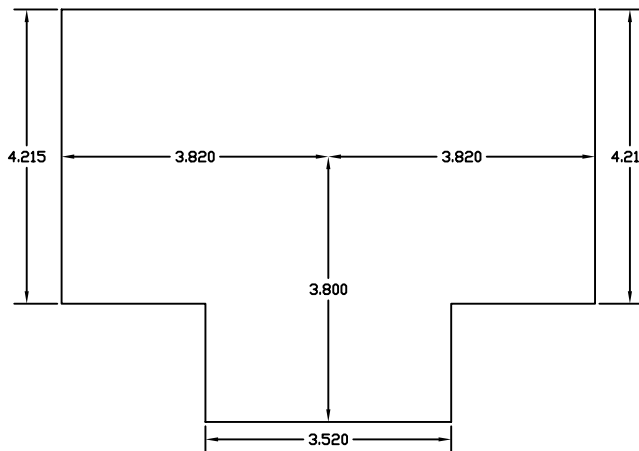
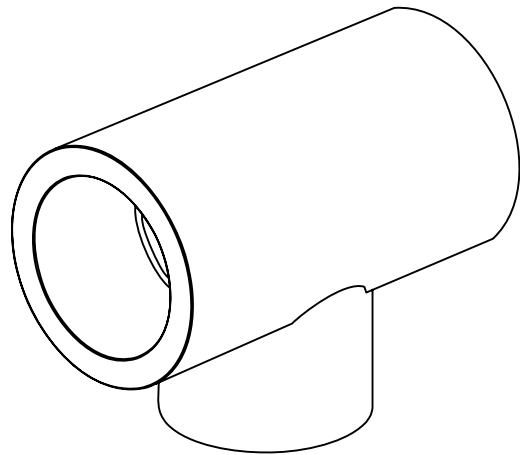
 IPEX	NAME BlazeMaster™	
	2.00" x 2.00" x 1.00" TEE	
CANADA TEL: (800) 473-8185 FAX: (604) 670-5299	PART # 048514	SCALE PDF NTS
U.S. TEL: (800) 485-9572 FAX: (604) 458-1264	UNIVERSAL #	MATERIAL CPVC
	E-FILE marketing@ipexinc.com	DATE 02APR2007
		www.ipexinc.com
<small>THE INFORMATION CONTAINED WITHIN THIS DRAWING IS PROPRIETARY AND THE PROPERTY OF IPEX INC. ANY UNAUTHORIZED USE, MANUFACTURE OR REPRODUCTION IN WHOLE OR IN PART IS STRICTLY PROHIBITED.</small>		



	NAME	BlazeMaster™	
		2.00" x 2.00" x 1.50" TEE	
	PART #	048515	SCALE PDF NTS
	UNIVERSAL #		MATERIAL CPVC
	S-FILE		DATE 02APR2007
CANADA TEL: (800) 795-8282 FAX: (506) 910-6289	marketing@ipexinc.com		www.ipexinc.com
U.S. TEL: (800) 785-8282 FAX: (800) 428-1284			
<small>THE INFORMATION CONTAINED WITHIN THIS DRAWING IS PROPRIETARY AND THE PROPERTY OF IPEX INC. ANY UNAUTHORIZED USE, MANUFACTURE OR REPRODUCTION IN WHOLE OR IN PART IS STRICTLY PROHIBITED.</small>			



	NAME	BlazeMaster™	
	PART #	3.00" x 3.00" x 2.00" TEE	
	UNIFORM #	045517	SCALE PDF NTS
	DATE	02APR2007	MATERIAL CPVC
DRAWN: TEL: 800-755-8107 FAX: 800-555-8107 DESIGNED: TEL: 800-755-8107 FAX: 800-555-8107	EPFILE	marketing@ipeinc.com	WWW.IPEINC.COM
<small>THE INFORMATION CONTAINED WITHIN THIS DRAWING IS PROPRIETARY AND THE PROPERTY OF IPEX INC. ANY UNAUTHORIZED REUSE, MANUFACTURE OR REPRODUCTION OF THIS DRAWING OR PART THEREOF IS PROHIBITED.</small>			



	NAME	BlazeMaster™	
	PART #	3.00" x 3.00" x 2.50" TEE	
	DATE	04/25/16	SCALE PDF NTS
	DATE	02/APR/2007	MATERIAL CPVC
DRAWN: TEL: 800-755-5107 FAX: 800-755-5107 USA: TEL: 800-755-5107 FAX: 800-755-5107 www.ipeinc.com	FILE: marketing@ipeinc.com www.ipeinc.com	THE INFORMATION CONTAINED WITHIN THIS DRAWING IS PROPRIETARY AND THE PROPERTY OF IPEX INC. ANY UNAUTHORIZED REUSE, MANUFACTURE OR REPRODUCTION OF THIS DRAWING IS STRICTLY PROHIBITED.	