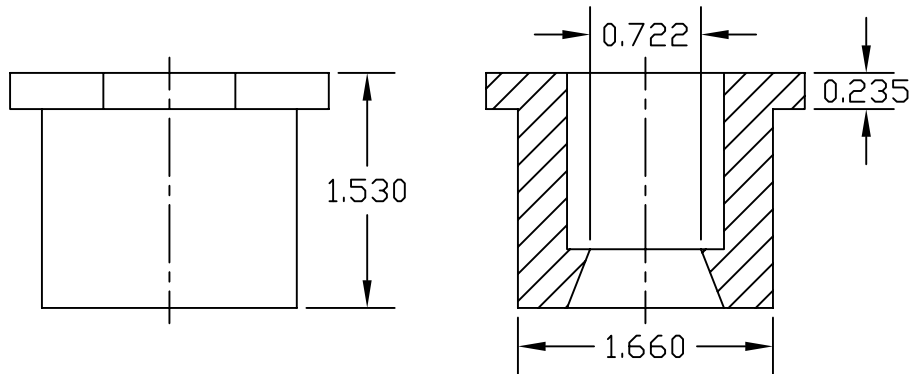
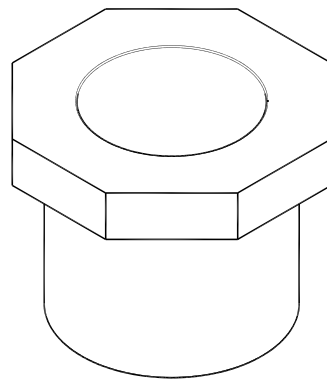

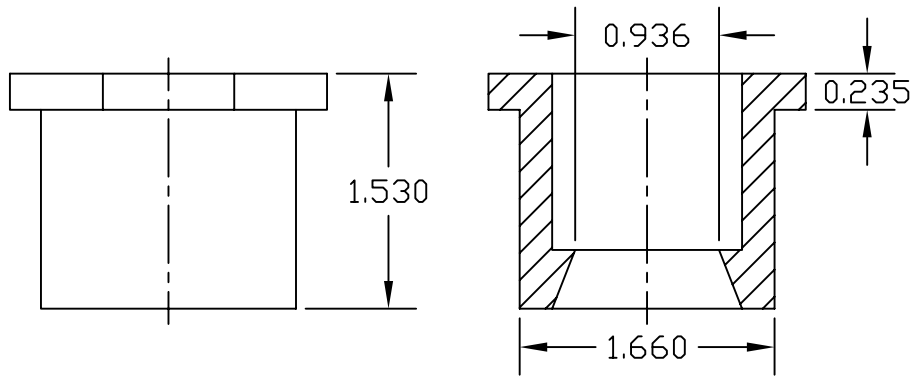
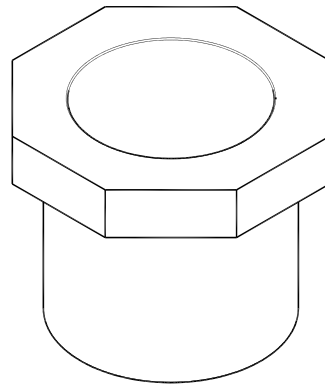

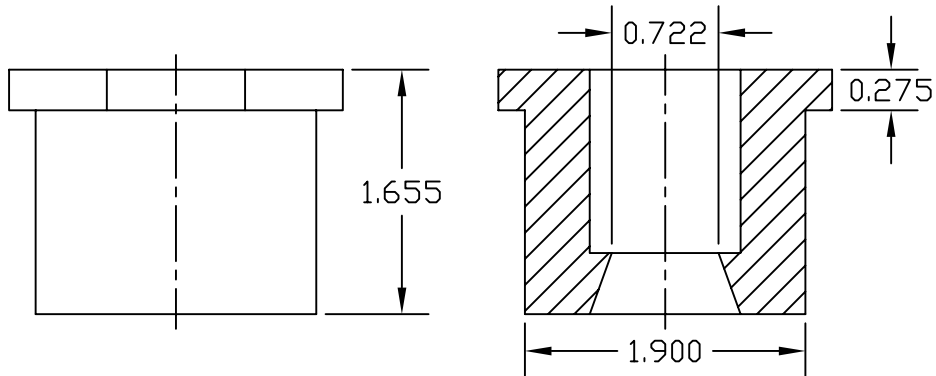
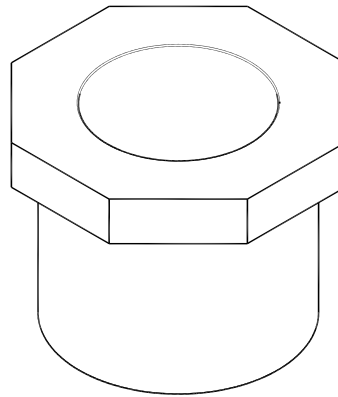
	NAME BlazeMaster™	
	1.000" x 0.750" REDUCING BUSHING	
	PART # 048459	SCALE PDF NTS
	UNIVERSAL #	MATERIAL CPVC
CANADA TEL: (800) 473-9462 FAX: (905) 570-5295	E-FILE	DATE 02APR2007
U.S. TEL: (800) 463-9572 FAX: (905) 403-1294	marketing@ipexinc.com	www.ipexinc.com
<small>THE INFORMATION CONTAINED WITHIN THIS DRAWING IS PROPRIETARY AND THE PROPERTY OF IPEX INC. ANY UNAUTHORIZED USE, MANUFACTURE OR REPRODUCTION IN WHOLE OR IN PART IS STRICTLY PROHIBITED.</small>		




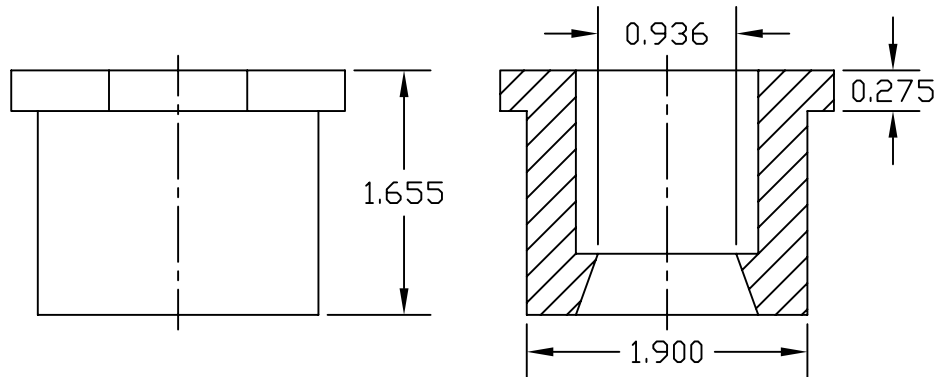
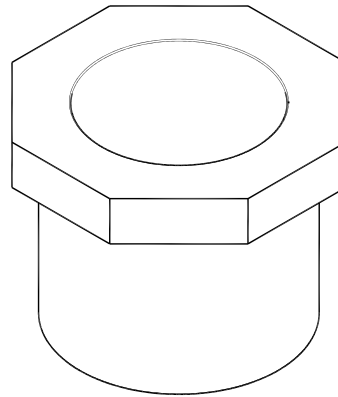
 IPEX	NAME BlazeMaster™	
	1.250" x 0.750" REDUCING BUSHING	
CANADA TEL: (800) 473-9482 FAX: (905) 570-5295	PART # 048460	SCALE PDF NTS
	UNIVERSAL #	MATERIAL CPVC
U.S. TEL: (800) 463-9572 FAX: (905) 403-1284	E-FILE marketing@ipexinc.com	DATE 02APR2007
www.ipexinc.com		
<small>THE INFORMATION CONTAINED WITHIN THIS DRAWING IS PROPRIETARY AND THE PROPERTY OF IPEX INC. ANY UNAUTHORIZED USE, MANUFACTURE OR REPRODUCTION IN WHOLE OR IN PART IS STRICTLY PROHIBITED.</small>		



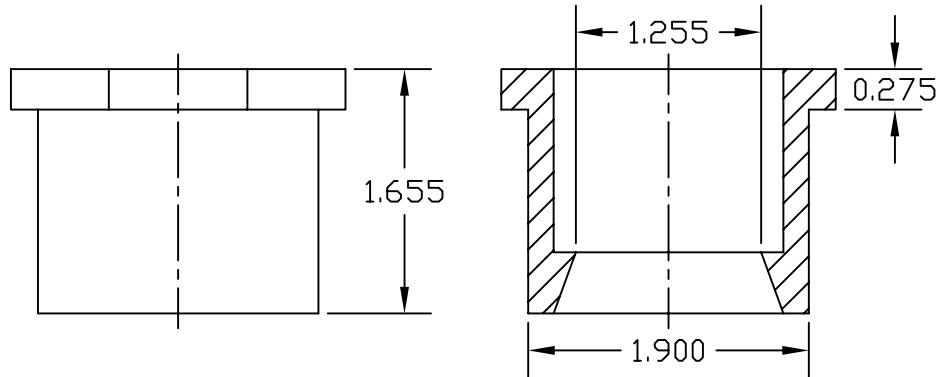
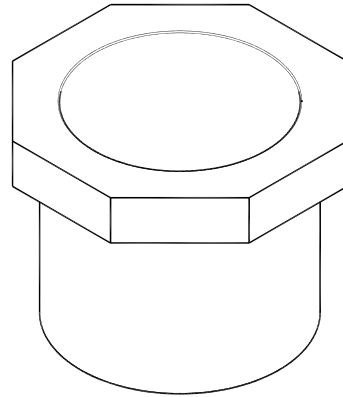
	BlazeMaster™ 1.250" x 1.000" REDUCING BUSHING	
	PART # 048461	SCALE 1:1
	UNIVERSAL #	MATERIAL CPVC
CANADA TEL: (800) 473-9462 FAX: (905) 570-5285	E-FILE	DATE 02APR2007
U.S. TEL: (800) 463-9572 FAX: (905) 403-1294	marketing@ipexinc.com	www.ipexinc.com
<small>THE INFORMATION CONTAINED WITHIN THIS DRAWING IS PROPRIETARY AND THE PROPERTY OF IPEX INC. ANY UNAUTHORIZED USE, MANUFACTURE OR REPRODUCTION IN WHOLE OR IN PART IS STRICTLY PROHIBITED.</small>		




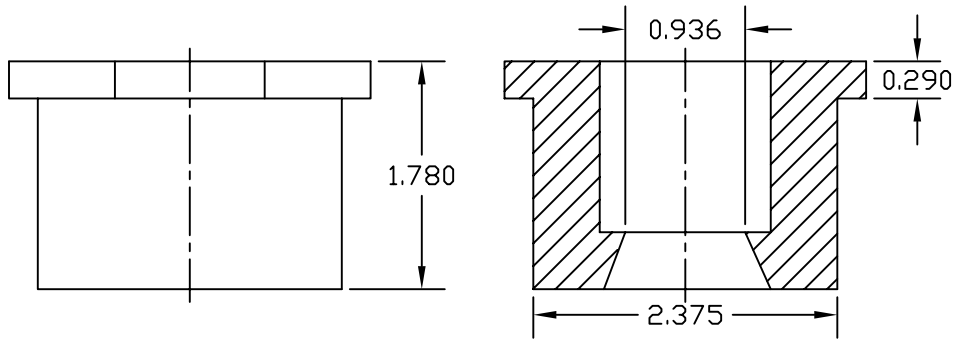
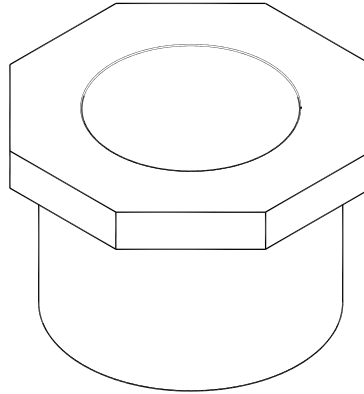
 CANADA TEL: (800) 473-3482 FAX: (905) 570-6295 U.S. TEL: (800) 463-9572 FAX: (905) 403-1284	NAME BlazeMaster™	
	1.500" x 0.750" REDUCING BUSHING	
	PART # 048462	SCALE PDF NTS
	UNIVERSAL #	MATERIAL CPVC
E-FILE	DATE 02APR2007	
marketing@ipexinc.com		www.ipexinc.com
<small>THE INFORMATION CONTAINED WITHIN THIS DRAWING IS PROPRIETARY AND THE PROPERTY OF IPEX INC. ANY UNAUTHORIZED USE, MANUFACTURE OR REPRODUCTION IN WHOLE OR IN PART IS STRICTLY PROHIBITED.</small>		




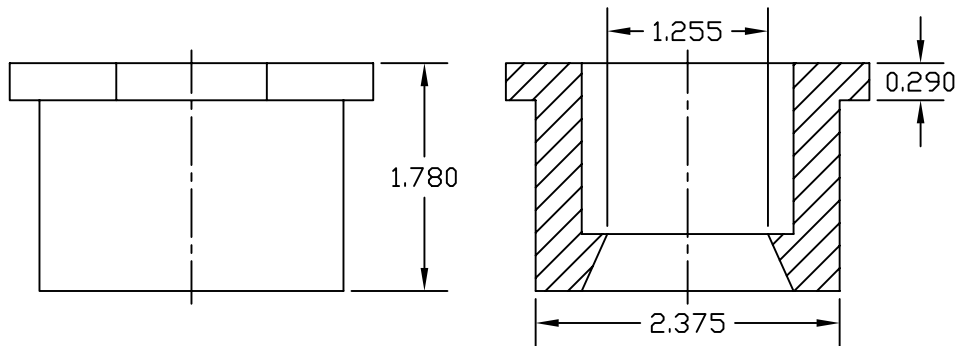
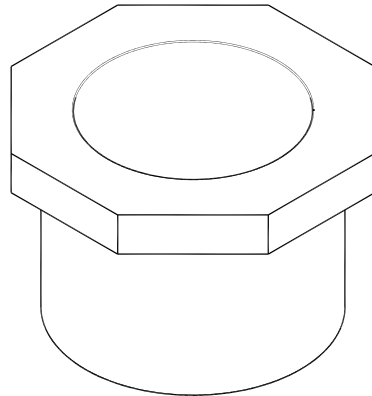
		NAME BlazeMaster™	
		1.500" x 1.000" REDUCING BUSHING	
CANADA TEL: (800) 473-9462 FAX: (906) 670-6295		PART # 048463	SCALE PDF NTS
U.S. TEL: (800) 463-9672 FAX: (906) 403-1294		UNIVERSAL #	MATERIAL CPVC
		E-FILE	DATE 02APR2007
		marketing@ipexinc.com	www.ipexinc.com
<small>THE INFORMATION CONTAINED WITHIN THIS DRAWING IS PROPRIETARY AND THE PROPERTY OF IPEX INC. ANY UNAUTHORIZED USE, MANUFACTURE OR REPRODUCTION IN WHOLE OR IN PART IS STRICTLY PROHIBITED.</small>			



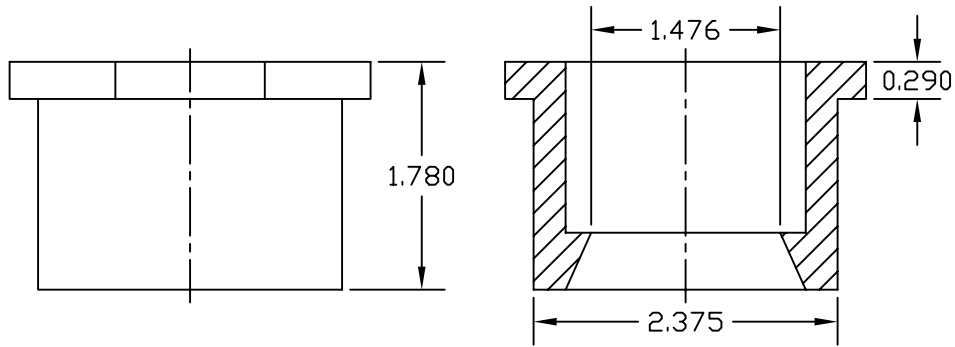
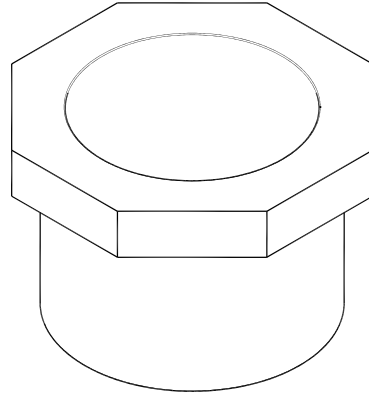
	NAME BlazeMaster™	
	1.500" x 1.250" REDUCING BUSHING	
	PART # 048464	SCALE PDF NTS
	UNIVERSAL #	MATERIAL CPVC
	E-FILE	DATE 02APR2007
CANADA TEL: (800) 473-9462 FAX: (905) 570-6295	marketing@ipexinc.com	www.ipexinc.com
U.S. TEL: (800) 463-9572 FAX: (905) 403-1294	<small>THE INFORMATION CONTAINED WITHIN THIS DRAWING IS PROPRIETARY AND THE PROPERTY OF IPEX INC. ANY UNAUTHORIZED USE, MANUFACTURE OR REPRODUCTION IN WHOLE OR IN PART IS STRICTLY PROHIBITED.</small>	



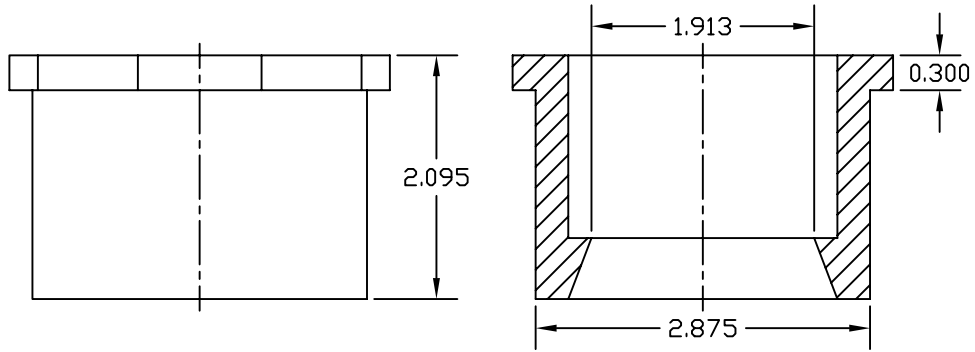
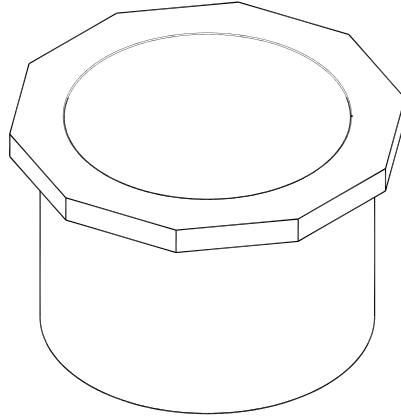
	NAME		BlazeMaster™	
			2.000" x 1.000" REDUCING BUSHING	
	PART #	048466	SCALE	PDF NTS
	UNIVERSAL #		MATERIAL	CPVC
CANADA	TEL: (800) 473-6482 FAX: (905) 570-5295	E-FILE	DATE	02APR2007
U.S.	TEL: (800) 483-6572 FAX: (905) 403-1294	marketing@ipexinc.com	www.ipexinc.com	
<small>THE INFORMATION CONTAINED WITHIN THIS DRAWING IS PROPRIETARY AND THE PROPERTY OF IPEX INC. ANY UNAUTHORIZED USE, MANUFACTURE OR REPRODUCTION IN WHOLE OR IN PART IS STRICTLY PROHIBITED.</small>				




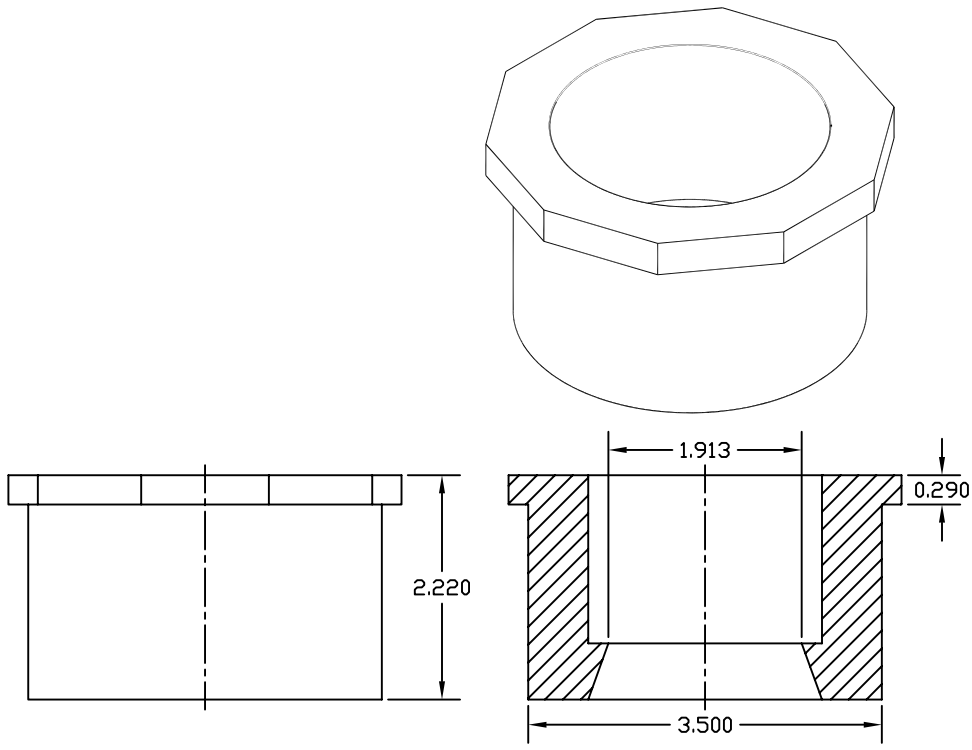
	NAME		BlazeMaster™
	PART #		2.000" x 1.250" REDUCING BUSHING
	UNIVERSAL #		048467
	E-FILE		marketing@ipexinc.com
CANADA	TEL: (800) 473-9482 FAX: (905) 570-6285	SCALE	PDF NTS
U.S.	TEL: (800) 483-9572 FAX: (905) 403-1284	MATERIAL	CPVC
		DATE	02APR2007
			www.ipexinc.com
<small>THE INFORMATION CONTAINED WITHIN THIS DRAWING IS PROPRIETARY AND THE PROPERTY OF IPEX INC. ANY UNAUTHORIZED USE, MANUFACTURE OR REPRODUCTION IN WHOLE OR IN PART IS STRICTLY PROHIBITED.</small>			



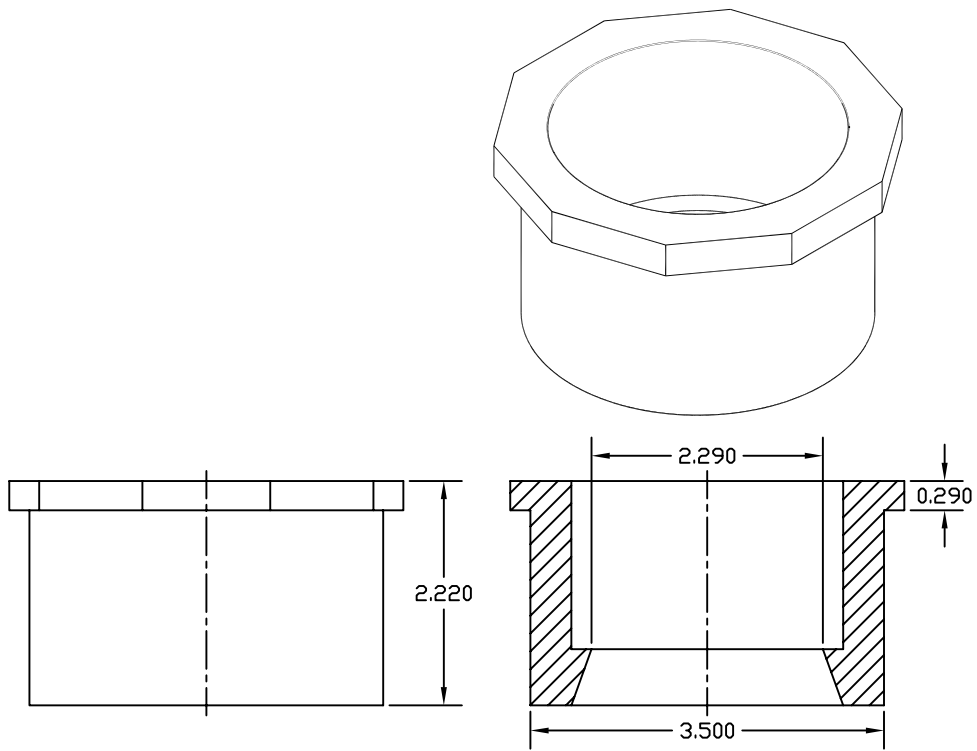
	NAME BlazeMaster™	
	2.000" x 1.500" REDUCING BUSHING	
	PART # 048468	SCALE PDF NTS
	UNIVERSAL #	MATERIAL CPVC
CANADA TEL: (800) 473-6482 FAX: (905) 570-5295	E-FILE	DATE 02APR2007
U.S. TEL: (800) 483-9572 FAX: (905) 403-1294	marketing@ipexinc.com	www.ipexinc.com
<small>THE INFORMATION CONTAINED WITHIN THIS DRAWING IS PROPRIETARY AND THE PROPERTY OF IPEX INC. ANY UNAUTHORIZED USE, MANUFACTURE OR REPRODUCTION IN WHOLE OR IN PART IS STRICTLY PROHIBITED.</small>		




	BlazeMaster™ 2.500" x 2.000" REDUCING BUSHING	
	PART # 048469	SCALE PDF NTS
CANADA TEL: (505) 473-8482 FAX: (505) 370-8255	UNIVERSAL #	MATERIAL CPVC
U.S. TEL: (505) 483-8572 FAX: (505) 403-1254	E-FILE marketing@ipexinc.com	DATE 02APR2007
<small>THE INFORMATION CONTAINED WITHIN THIS DRAWING IS PROPRIETARY AND THE PROPERTY OF IPEX INC. ANY UNAUTHORIZED USE, MANUFACTURE OR REPRODUCTION IN WHOLE OR IN PART IS STRICTLY PROHIBITED.</small>		



 CANADA TEL: (800) 473-9482 FAX: (905) 570-0293 U.S. TEL: (800) 489-9572 FAX: (905) 433-1294	NAME	BlazeMaster™	
	PART #	3.000" x 2.000" REDUCING BUSHING	
	UNIVERSAL #	048470	SCALE PDF NTS
	E-FILE	marketing@ipexinc.com	MATERIAL CPVC
		DATE	02APR2007
		www.ipexinc.com	
<small>THIS INFORMATION CONTAINED WITHIN THIS DRAWING IS PROPRIETARY AND THE PROPERTY OF IPEX INC. ANY UNAUTHORIZED USE, MANUFACTURE OR REPRODUCTION IN WHOLE OR IN PART IS STRICTLY PROHIBITED.</small>			



	NAME BlazeMaster™	
	3.000" x 2.500" REDUCING BUSHING	
	PART # 048471	SCALE PDF NTS
	UNIVERSAL #	MATERIAL CPVC
CANADA TEL: (800) 478-8482 FAX: (905) 870-8289	E-FILE	DATE 02APR2007
U.S. TEL: (800) 483-8572 FAX: (905) 403-1224	marketing@ipexinc.com	www.ipexinc.com
<small>THE INFORMATION CONTAINED WITHIN THIS DRAWING IS PROPRIETARY AND THE PROPERTY OF IPEX INC. ANY UNAUTHORIZED USE, MANUFACTURE OR REPRODUCTION IN WHOLE OR IN PART IS STRICTLY PROHIBITED.</small>		