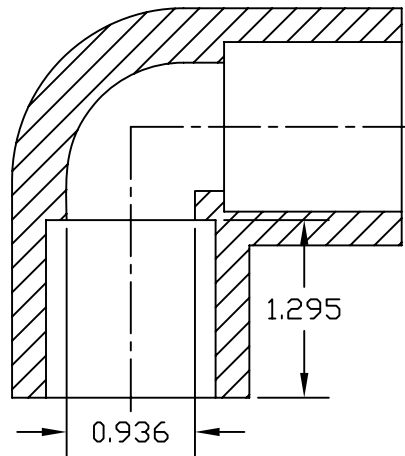
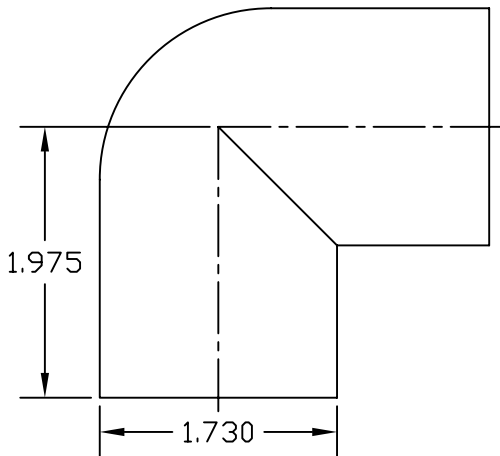
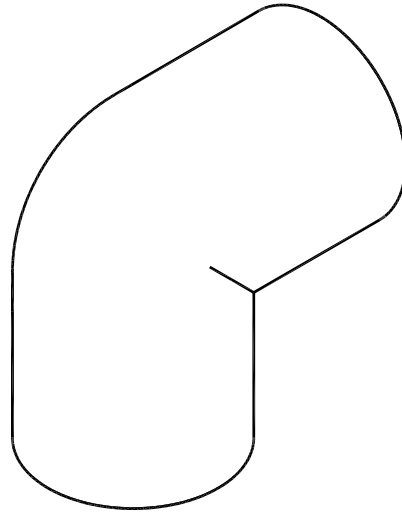

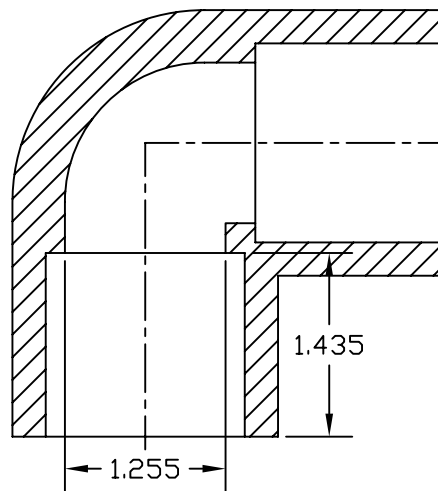
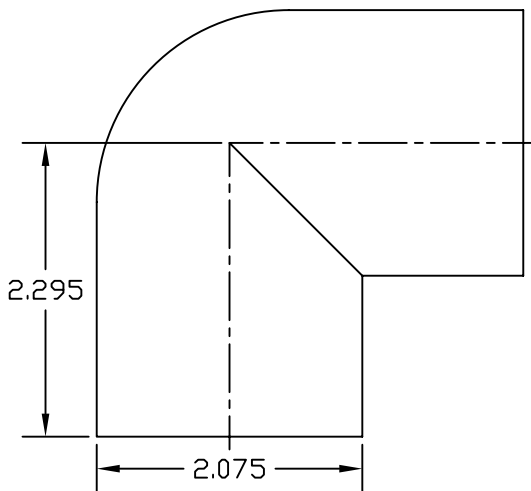
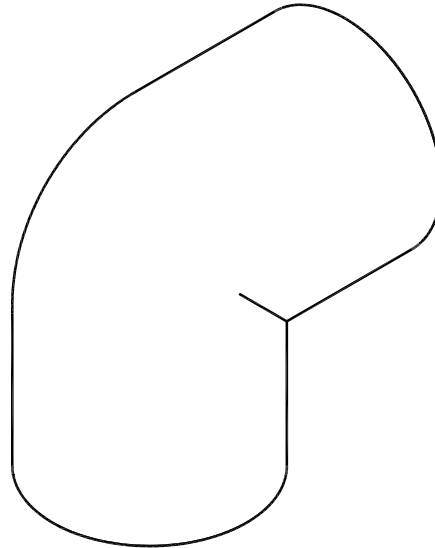
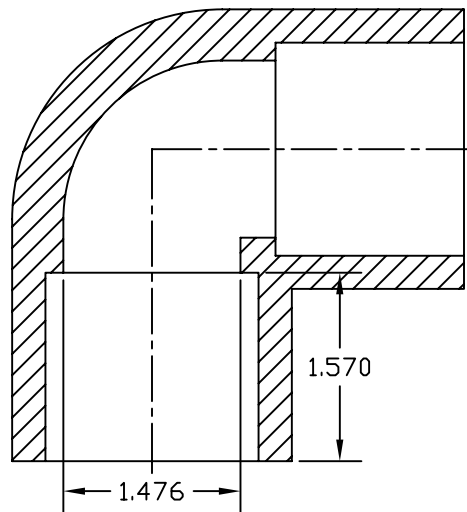
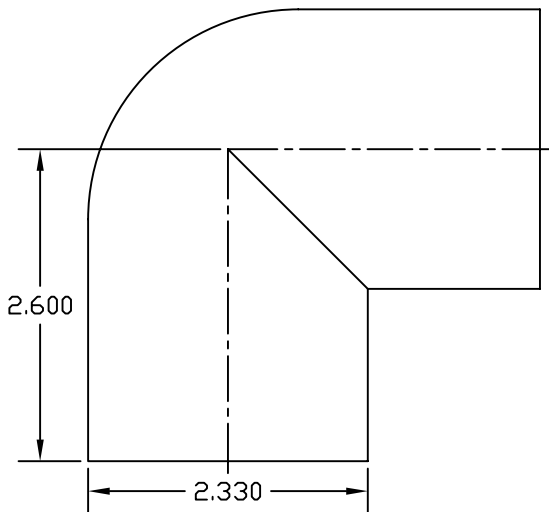
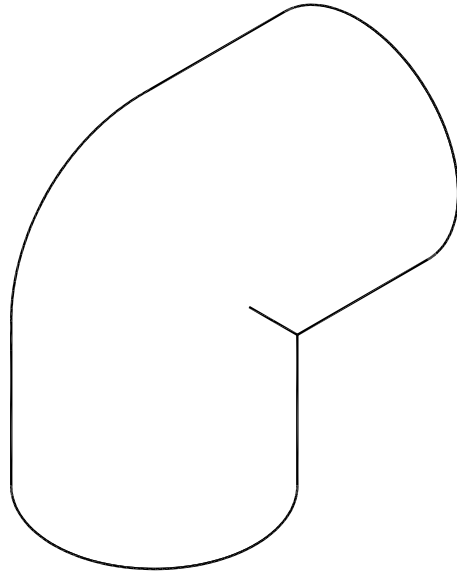
		NAME BlazeMaster™ 0.750" ELBOW	
		PART # 048431	SCALE PDF NTS
CANADA TEL: (800) 473-9462 FAX: (905) 570-5295		UNIVERSAL #	MATERIAL CPVC
U.S. TEL: (800) 463-9572 FAX: (905) 403-1294		E-FILE marketing@ipexinc.com	DATE 02APR2007
		www.ipexinc.com	
<small>THE INFORMATION CONTAINED WITHIN THIS DRAWING IS PROPRIETARY AND THE PROPERTY OF IPEX INC. ANY UNAUTHORIZED USE, MANUFACTURE OR REPRODUCTION IN WHOLE OR IN PART IS STRICTLY PROHIBITED.</small>			




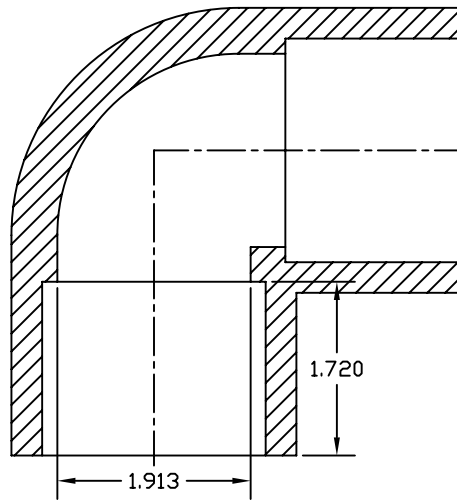
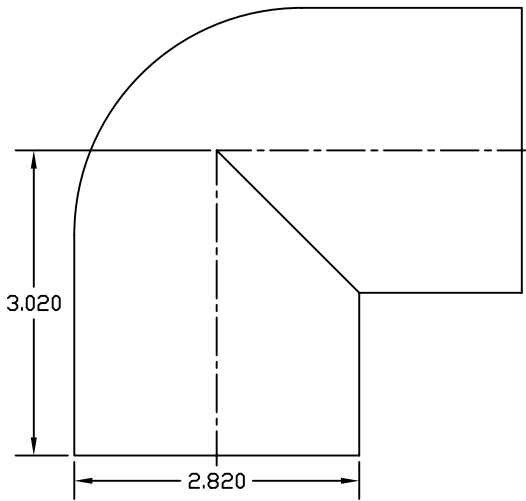
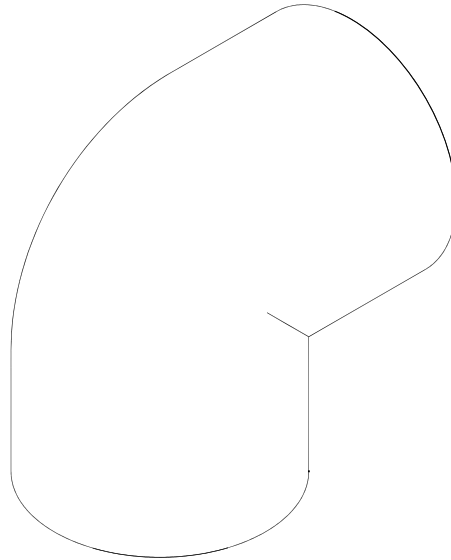
 <p>CANADA TEL: (800) 473-9482 FAX: (905) 670-5295</p> <p>U.S. TEL: (800) 483-8672 FAX: (905) 403-1284</p>	NAME BlazeMaster™ 1.000" ELBOW	
	PART # 048432	SCALE PDF NTS
	UNIVERSAL #	MATERIAL CPVC
	E-FILE	DATE 02APR2007
	marketing@ipexinc.com	
<small>THE INFORMATION CONTAINED WITHIN THIS DRAWING IS PROPRIETARY AND THE PROPERTY OF IPEX INC. ANY UNAUTHORIZED USE, MANUFACTURE OR REPRODUCTION IN WHOLE OR IN PART IS STRICTLY PROHIBITED.</small>		



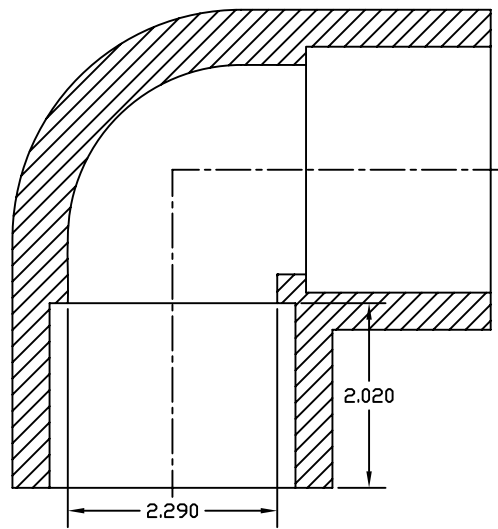
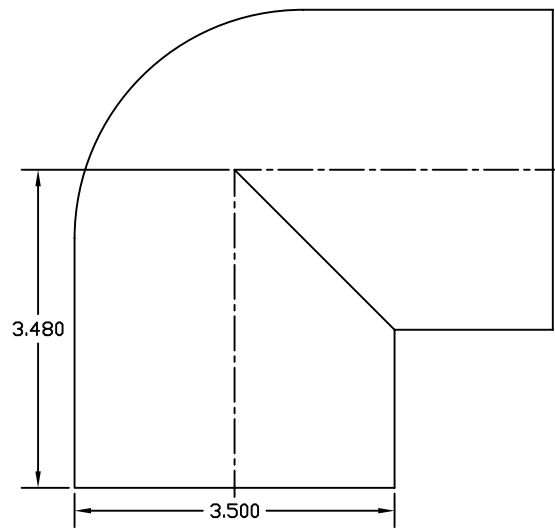
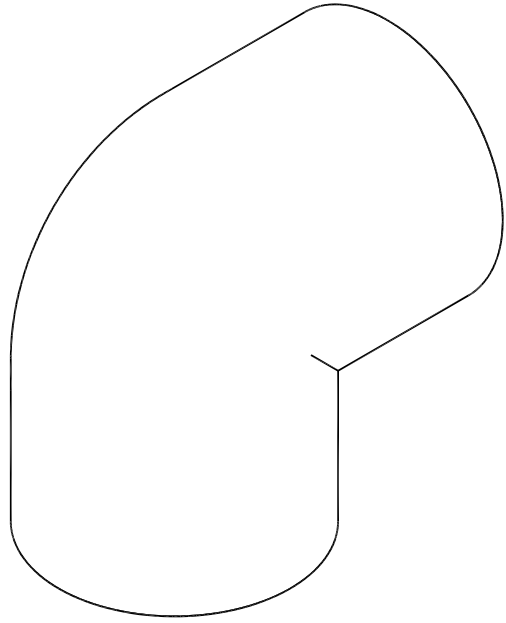
 IPEX	BlazeMaster™ 1.250" ELBOW	
	PART # 048433	SCALE PDF NTS
	UNIVERSAL #	MATERIAL CPVC
	E-FILE	DATE 02APR2007
CANADA TEL: (800) 473-9482 FAX: (905) 570-5295	U.S. TEL: (800) 463-9572 FAX: (905) 403-1294	marketing@ipexinc.com www.ipexinc.com
THE INFORMATION CONTAINED WITHIN THIS DRAWING IS PROPRIETARY AND THE PROPERTY OF IPEX INC. ANY UNAUTHORIZED USE, MANUFACTURE OR REPRODUCTION IN WHOLE OR IN PART IS STRICTLY PROHIBITED.		



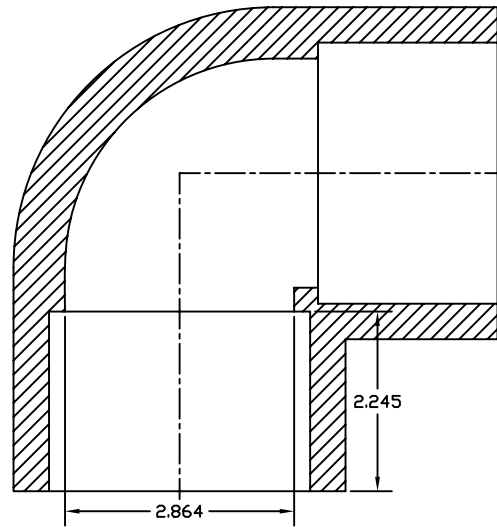
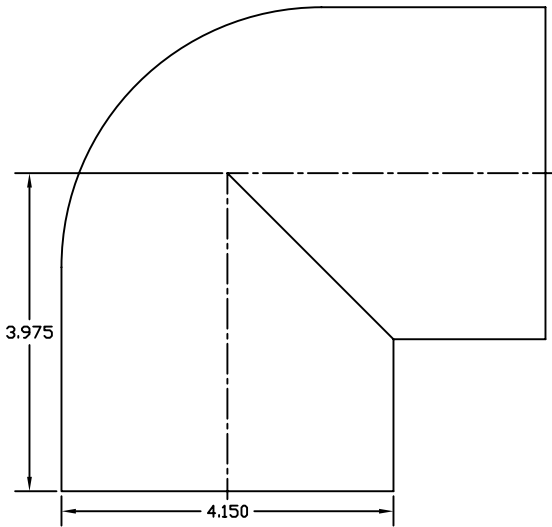
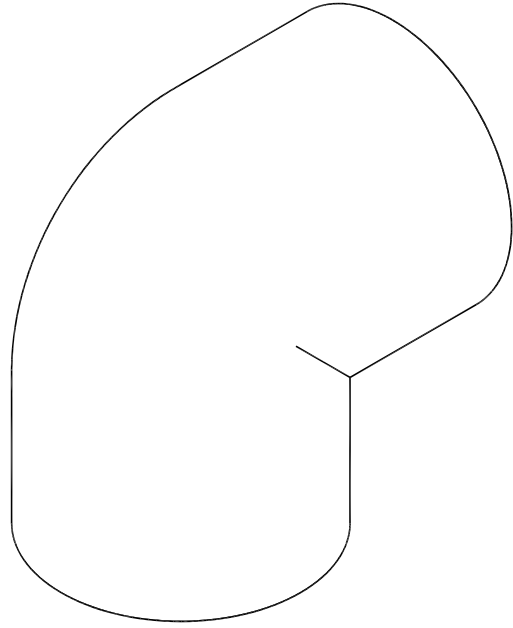
	NAME BlazeMaster™ 1.500" ELBOW	
	PART # 048434	SCALE PDF NTS
	UNIVERSAL #	MATERIAL CPVC
	E-FILE marketing@ipexinc.com	DATE 02APR2007
CANADA TEL: (800) 473-9482 FAX: (905) 570-8295	U.S. TEL: (800) 485-9572 FAX: (905) 403-1284	www.ipexinc.com
<small>THE INFORMATION CONTAINED WITHIN THIS DRAWING IS PROPRIETARY AND THE PROPERTY OF IPEX INC. ANY UNAUTHORIZED USE, MANUFACTURE OR REPRODUCTION IN WHOLE OR IN PART IS STRICTLY PROHIBITED.</small>		



	NAME BlazeMaster™	
	PART # 2.000" ELBOW	
CANADA TEL: (800) 473-8183 FAX: (905) 970-9289	UNIVERSAL # 048435	SCALE PDF NTS
	E-FILE marketing@ipexinc.com	MATERIAL CPVC
U.S. TEL: (800) 485-9972 FAX: (905) 403-1294	DATE 02APR2007	www.ipexinc.com
<small>THE INFORMATION CONTAINED WITHIN THIS DRAWING IS PROPRIETARY AND THE PROPERTY OF IPEX INC. ANY UNAUTHORIZED USE, MANUFACTURE OR REPRODUCTION IN WHOLE OR IN PART IS STRICTLY PROHIBITED.</small>		



	NAME	BlazeMaster™ 2.500" ELBOW	
	PART #	048436	SCALE PDF NTS
UNIVERSAL #		MATERIAL	CPVC
DATE	02APR2007	E-FILE	marketing@ipexinc.com
CANADA TEL: (800) 473-9182 FAX: (800) 970-8280 U.S. TEL: (800) 483-8972 FAX: (800) 423-1284	www.ipexinc.com	THE INFORMATION CONTAINED WITHIN THIS DRAWING IS PROPRIETARY AND THE PROPERTY OF IPEX INC. ANY UNAUTHORIZED USE, MANUFACTURE OR REPRODUCTION IN WHOLE OR IN PART IS STRICTLY PROHIBITED.	



	NAME	BlazeMaster™ 3.000" ELBOW
	PART #	048437
	UNIVERSAL #	
	SCALE	PDF INTS
DATE	02APR2007	
MATERIAL	CPVC	
FILE	marketing@ipexinc.com	www.ipexinc.com
<small>THE INFORMATION CONTAINED WITHIN THIS DRAWING IS PROPRIETARY AND THE PROPERTY OF IPEX INC. ANY UNAUTHORIZED USE, MANUFACTURE OR REPRODUCTION OF THIS DRAWING OR ITS PARTS IS STRICTLY PROHIBITED.</small>		