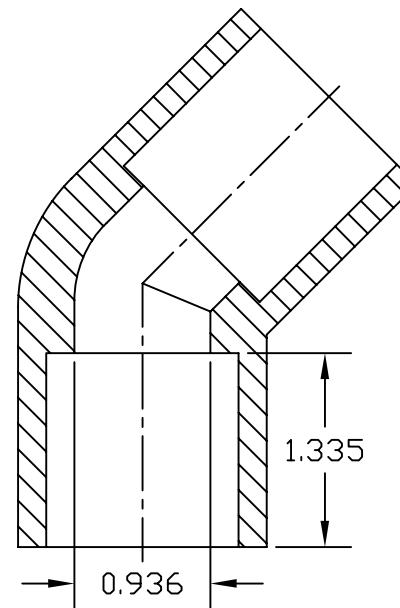
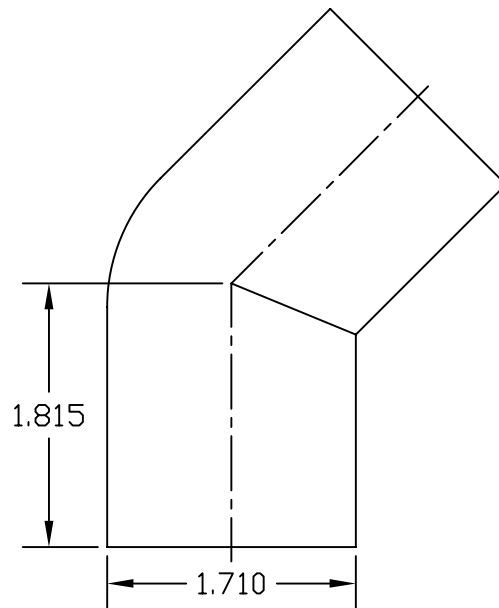
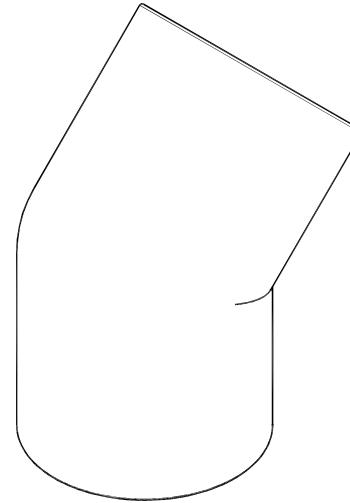

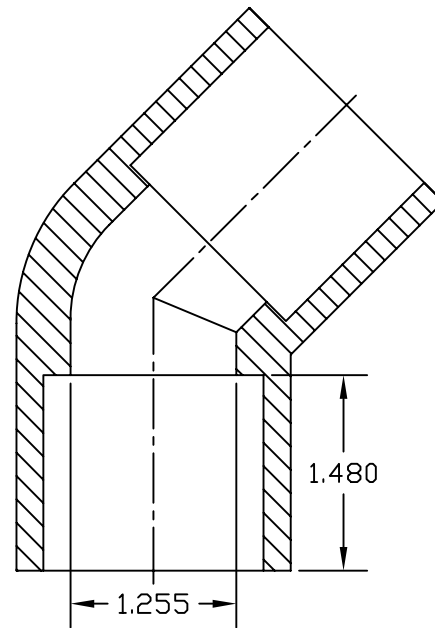
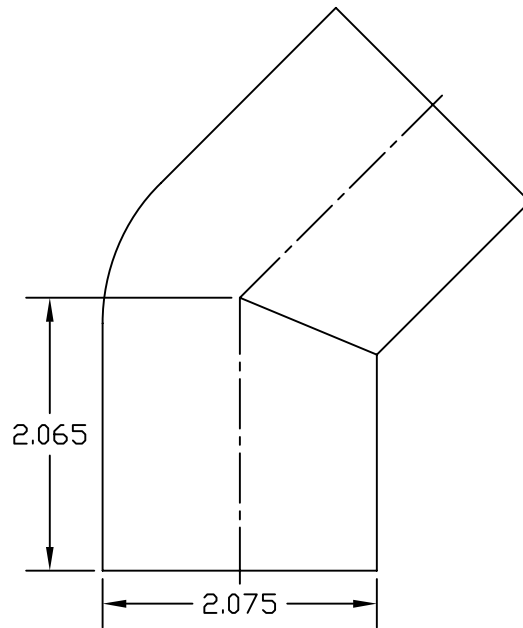
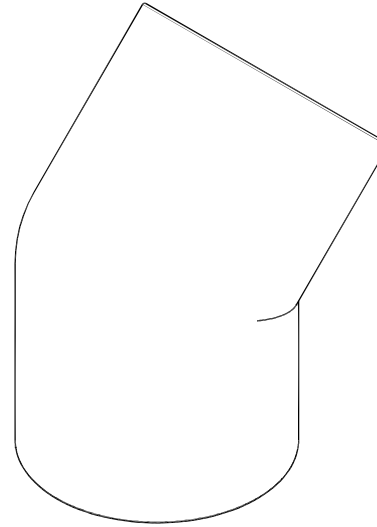


	NAME BlazeMaster™ 0.750" ELBOW	
	PART # 048420	SCALE 1:1
CANADA TEL: (800) 473-9462 FAX: (905) 570-5295 U.S. TEL: (800) 463-9572 FAX: (905) 403-1294	UNIVERSAL #	MATERIAL CPVC
	E-FILE marketing@ipexinc.com	DATE 02APR2007 www.ipexinc.com
<small>THE INFORMATION CONTAINED WITHIN THIS DRAWING IS PROPRIETARY AND THE PROPERTY OF IPEX INC. ANY UNAUTHORIZED USE, MANUFACTURE OR REPRODUCTION IN WHOLE OR IN PART IS STRICTLY PROHIBITED.</small>		



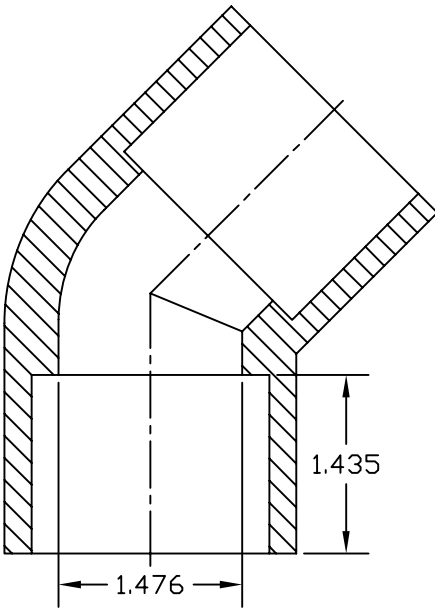
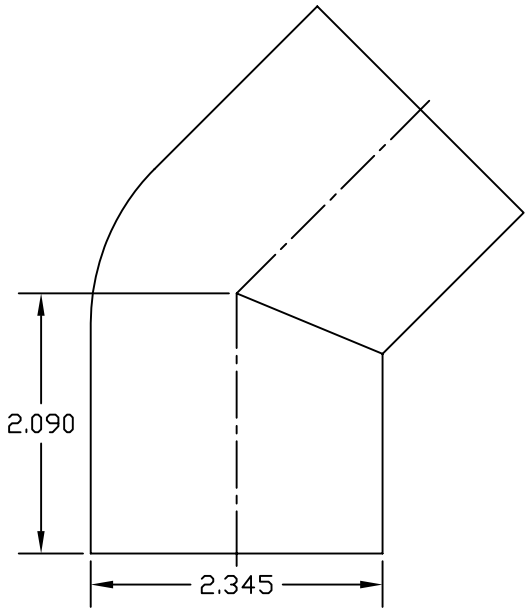
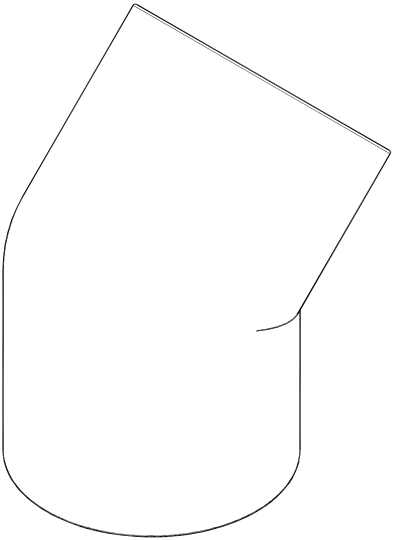
		NAME BlazeMaster™ 1.000" ELBOW	
		PART # 048421	SCALE 1:1
CANADA TEL: (800) 473-6462 FAX: (905) 570-5295		UNIVERSAL #	MATERIAL CPVC
U.S. TEL: (800) 463-9572 FAX: (905) 403-1294		E-FILE marketing@ipexinc.com	DATE 02APR2007
		www.ipexinc.com	
<small>THE INFORMATION CONTAINED WITHIN THIS DRAWING IS PROPRIETARY AND THE PROPERTY OF IPEX INC. ANY UNAUTHORIZED USE, MANUFACTURE OR REPRODUCTION IN WHOLE OR IN PART IS STRICTLY PROHIBITED.</small>			




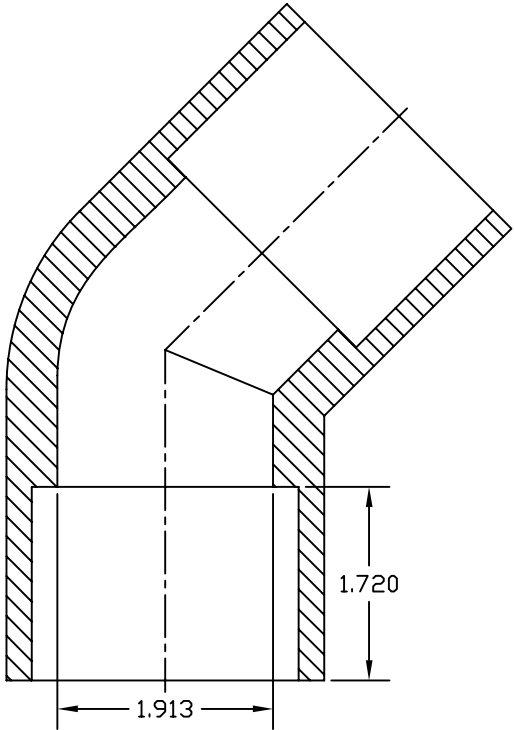
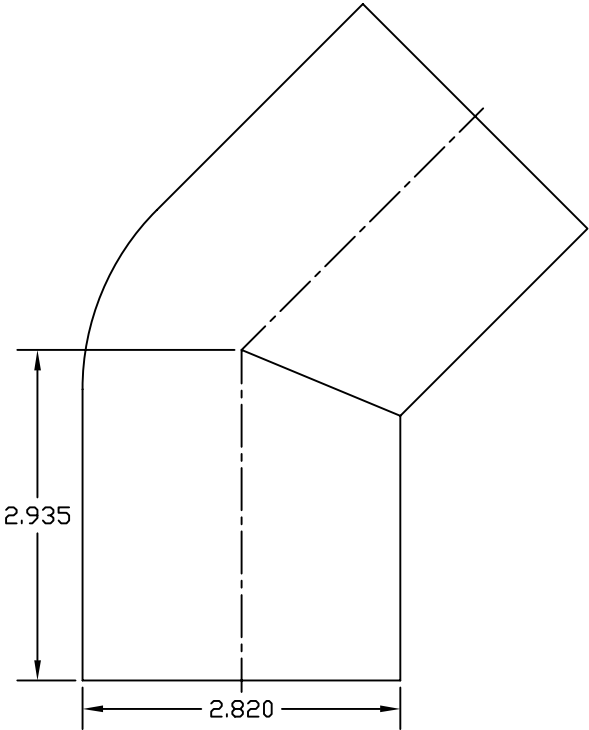
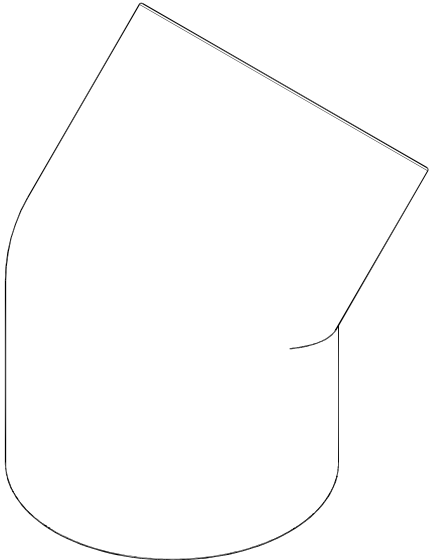
CANADA TEL: (800) 473-9462
 FAX: (905) 570-5295
 U.S. TEL: (800) 463-9572
 FAX: (905) 403-1294


NAME BlazeMaster™ 1.250" ELBOW	
PART # 048422	SCALE 1:1
UNIVERSAL #	MATERIAL CPVC
E-FILE marketing@ipexinc.com	DATE 02APR2007
	www.ipexinc.com

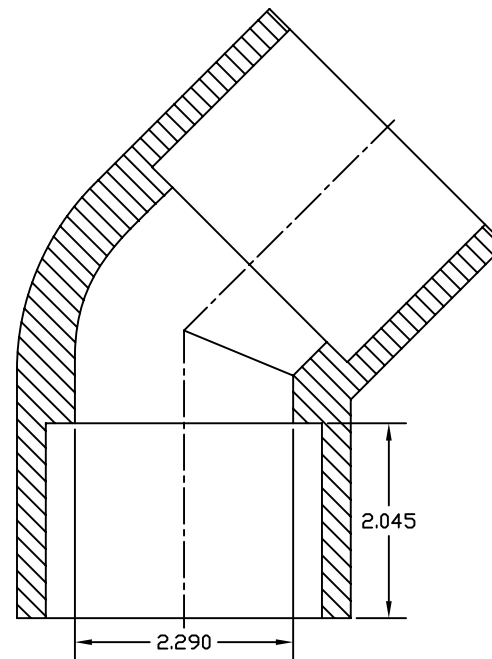
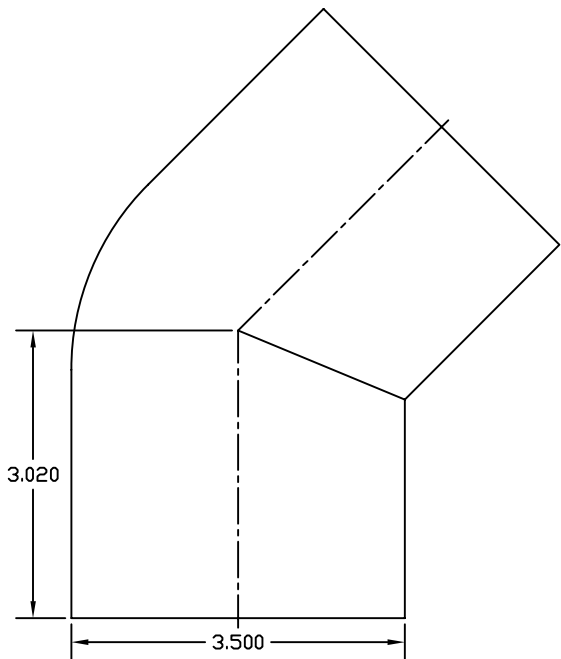
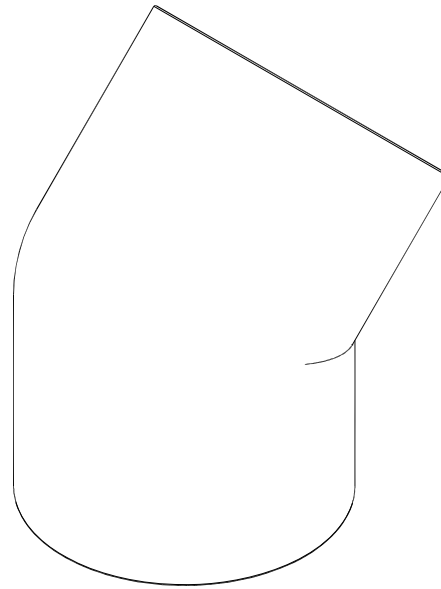
THE INFORMATION CONTAINED WITHIN THIS DRAWING IS PROPRIETARY AND THE PROPERTY OF IPEX INC.
 ANY UNAUTHORIZED USE, MANUFACTURE OR REPRODUCTION IN WHOLE OR IN PART IS STRICTLY PROHIBITED.



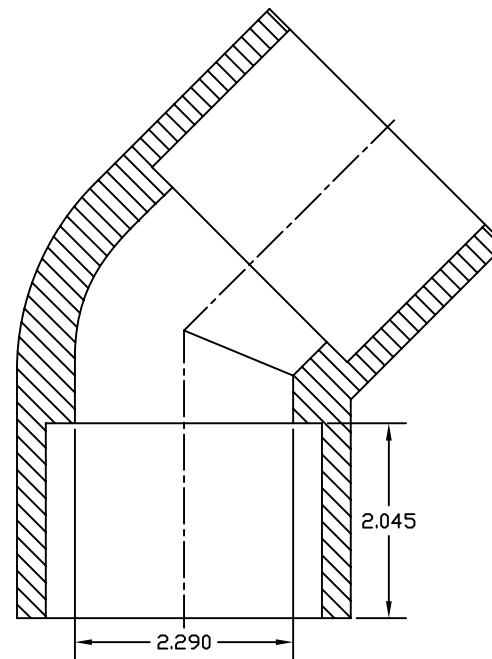
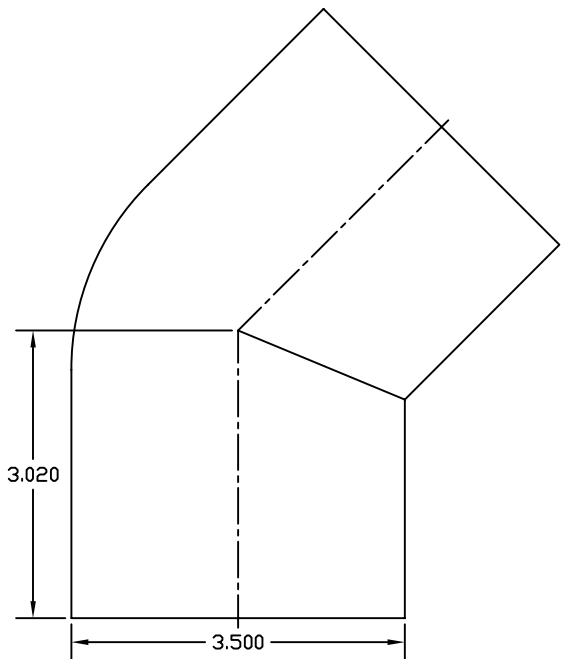
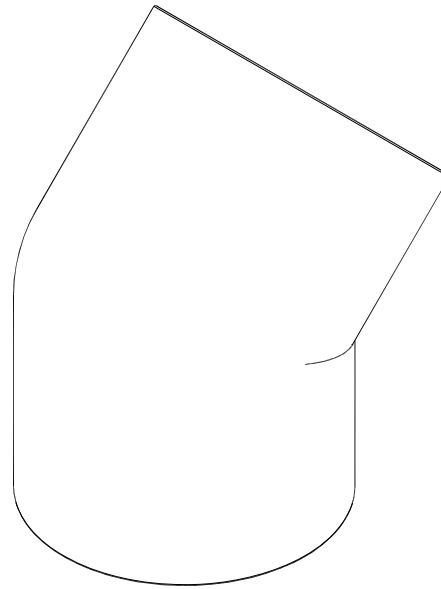
		NAME BlazeMaster™ 1.500" ELBOW	
		PART # 048423	SCALE 1:1
CANADA TEL: (800) 473-9462 FAX: (905) 570-5295		UNIVERSAL #	MATERIAL CPVC
U.S. TEL: (800) 483-8572 FAX: (905) 403-1294		E-FILE marketing@ipexinc.com	DATE 02APR2007
		www.ipexinc.com	
<small>THE INFORMATION CONTAINED WITHIN THIS DRAWING IS PROPRIETARY AND THE PROPERTY OF IPEX INC. ANY UNAUTHORIZED USE, MANUFACTURE OR REPRODUCTION IN WHOLE OR IN PART IS STRICTLY PROHIBITED.</small>			



	NAME BlazeMaster™ 2.000" ELBOW	
	PART # 048424	SCALE 1:1
	UNIVERSAL #	MATERIAL CPVC
	E-FILE	DATE 02APR2007
CANADA TEL: (800) 473-9462 FAX: (905) 570-5295	marketing@ipexinc.com	
U.S. TEL: (800) 463-9572 FAX: (905) 403-1294	www.ipexinc.com	
<small>THE INFORMATION CONTAINED WITHIN THIS DRAWING IS PROPRIETARY AND THE PROPERTY OF IPEX INC. ANY UNAUTHORIZED USE, MANUFACTURE OR REPRODUCTION IN WHOLE OR IN PART IS STRICTLY PROHIBITED.</small>		



	NAME BlazeMaster™ 2.500" ELBOW	
	PART # 048425	SCALE 1:1
	UNIVERSAL #	MATERIAL CPVC
	DATE 02APR2007	MARKETING # marketing@lpexinc.com
CANADA TEL: (800) 473-6642 FAX: (905) 574-8295	U.S. TEL: (800) 463-8672 FAX: (905) 403-1284	www.lpexinc.com
<small>THE INFORMATION CONTAINED WITHIN THIS DRAWING IS PROPRIETARY AND THE PROPERTY OF IPEX INC. ANY UNAUTHORIZED USE, MANUFACTURE OR REPRODUCTION IN WHOLE OR IN PART IS STRICTLY PROHIBITED.</small>		



		NAME BlazeMaster™ 2.500" ELBOW	
		PART # 048425	SCALE 1:1
CANADA TEL: (800) 473-6642 FAX: (905) 574-5295		UNIVERSAL #	MATERIAL CPVC
U.S. TEL: (800) 463-8672 FAX: (905) 403-1284		DATE 02APR2007	marketing@lpexinc.com www.lpexinc.com
<small>THE INFORMATION CONTAINED WITHIN THIS DRAWING IS PROPRIETARY AND THE PROPERTY OF IPEX INC. ANY UNAUTHORIZED USE, MANUFACTURE OR REPRODUCTION IN WHOLE OR IN PART IS STRICTLY PROHIBITED.</small>			