

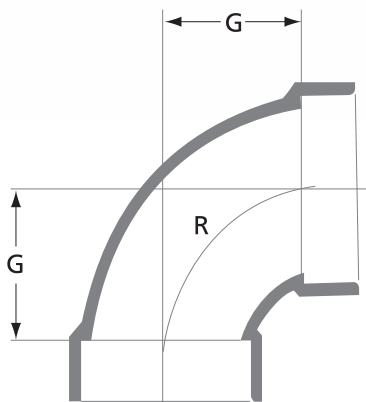
SYSTEM 636® CPVC LONG SWEEP ELBOWS

TOLL FREE CANADA: (866) 473-9462

www.ipexinc.com

MECHANICAL PIPING SYSTEMS

IPEX is pleased to announce we are now manufacturing three new certified fittings to compliment our System 636 CPVC product line.



SIZE	PRODUCT CODE	DIMENSIONS (mm)	
		G	R
2" (50mm)	197122	59	70.80
3" (75mm)	197123	78	90.00
4" (100mm)	197124	100	116.08

TEMESTIP071206R

Products manufactured by IPEX Inc. System636® is a trademark of IPEX Branding Inc.



WE BUILD TOUGH PRODUCTS FOR TOUGH ENVIRONMENTS®